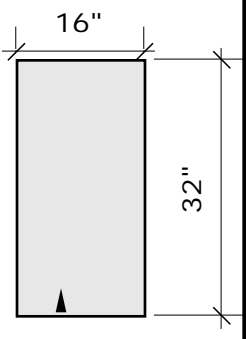
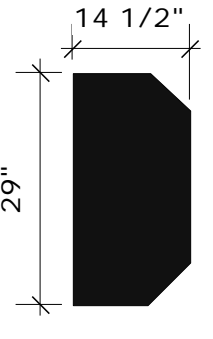
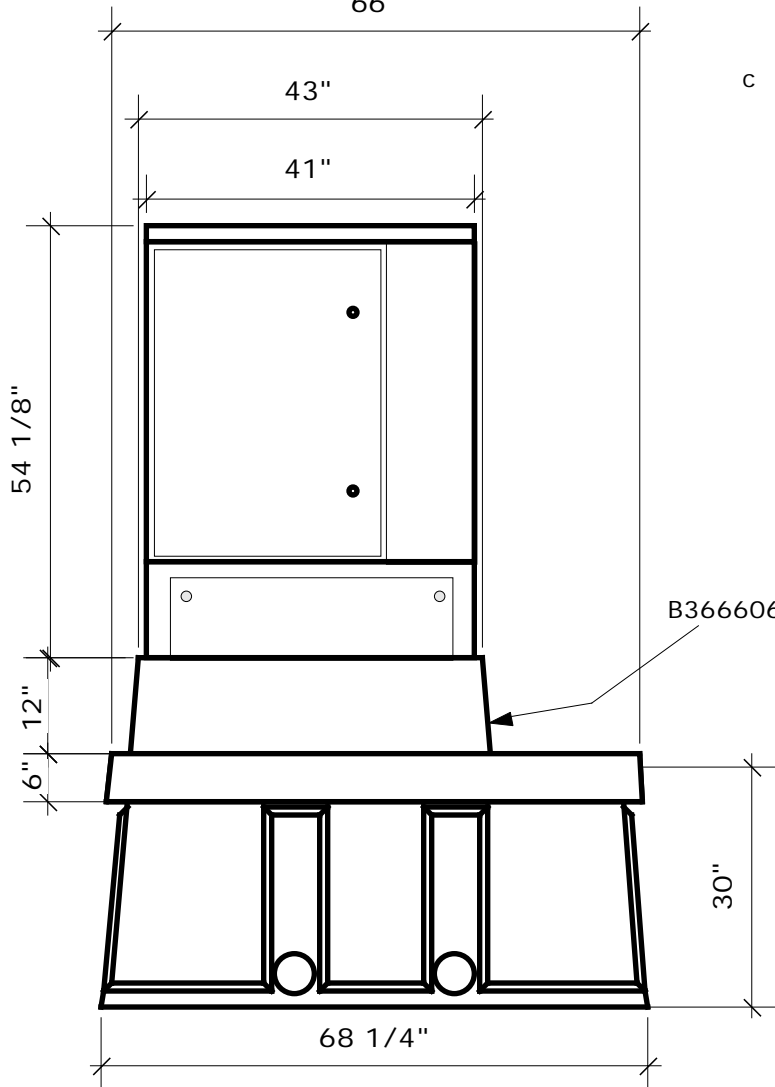


<b>Tunnel Mill Polymer, Inc.</b>	Action	By	Date
	Drawn	SD	5/8/02
	Checked	SD	5/8/02
	Revised		
AFC RST 240D Sierra on B366606-12 U306030 Planview and Elevations	Revised		
	Revised		
	Revised		
	Drawing Number		Revision
DBANBA		A	
			
The aluminum access panel, with safety tread plate, covers an opening as shown.			
<a href="#">View .dwg file</a>		<a href="#">Return to Catalog</a>	



c

