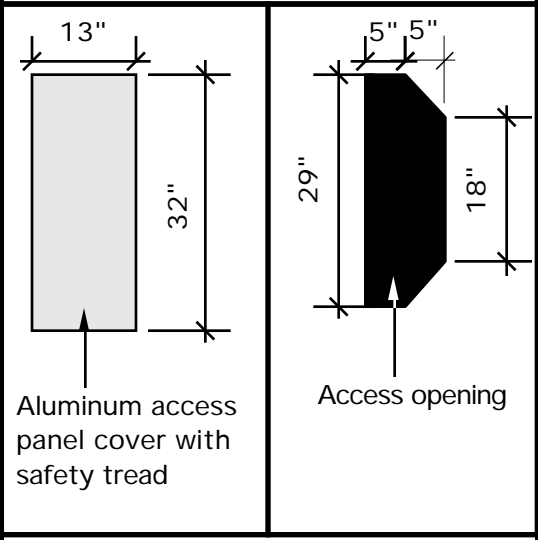


Tunnel Mill Polymer, Inc.	Action	By	Date
	Drawn	SD	12/4/98
	Checked	SD	12/7/98
	Revised	DO	1/9/01
	Revised		
	Revised		
TelStrat RDT 48 Mounted on B365406-12 /U304836 Elevations - Planview		Drawing Number	Revision
		DBBABB	A

A digital version of this drawing can be downloaded on the web @ www.tunnelmill.com



The aluminum access panel, with safety tread plate, covers an opening as shown.

