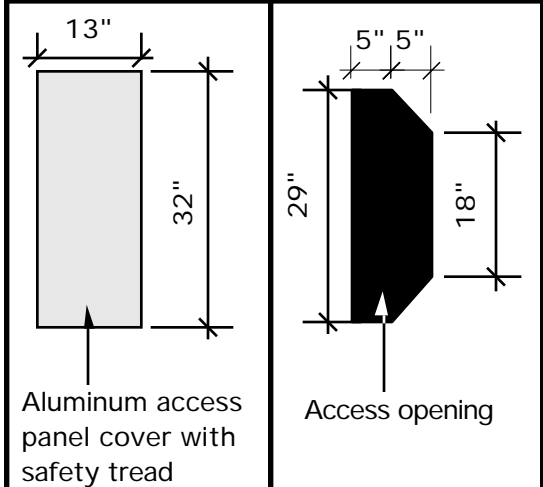
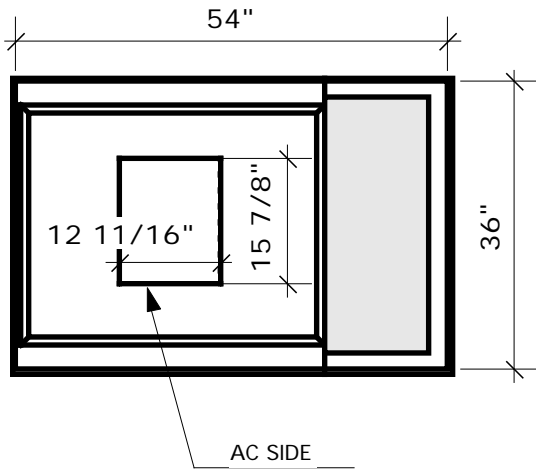


Tunnel Mill Polymer, Inc.	Action	By	Date
	Drawn	BD	12/4/98
	Checked	SD	12/7/98
	Revised	DO	1/8/01
	Revised		
TelStrat RDT48 on B365406-24 on U304836 Elevation - Planview	Drawing Number	Revision	
	DBBACB	A	

A digital version of this drawing can be downloaded on the web @ www.tunnelmill.com



The aluminum access panel, with safety tread plate, covers an opening as shown.

