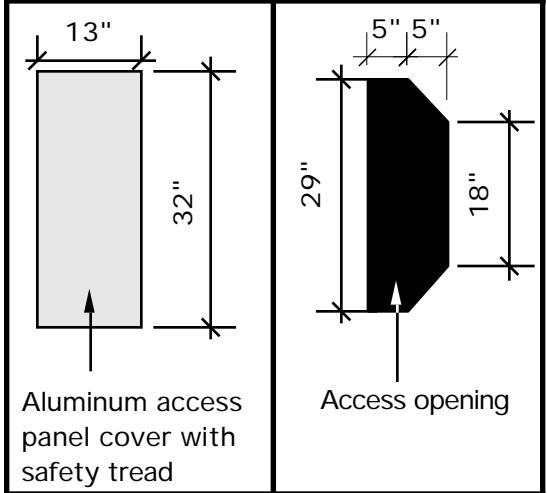


Tunnel Mill Polymer, Inc.		
Action	By	Date
Drawn	SD	12/4/98
Checked	SD	12/7/98
Revised	DO	1/9/01
Revised		
Revised		
Drawing Number		Revision
DBBBBBB		A

A digital version of this drawing can be downloaded on the web @ www.tunnelmill.com



The aluminum access panel, with safety tread plate, covers an opening as shown.

