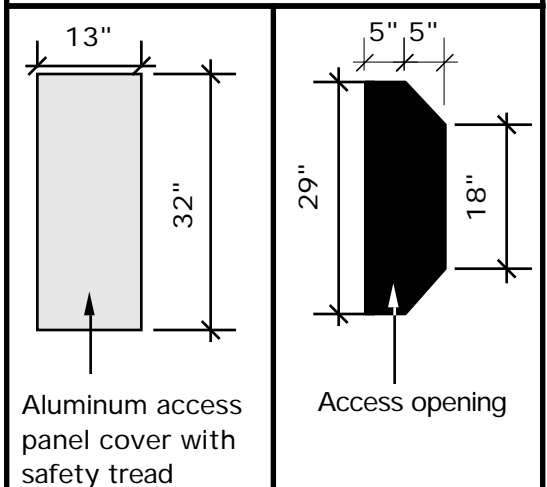
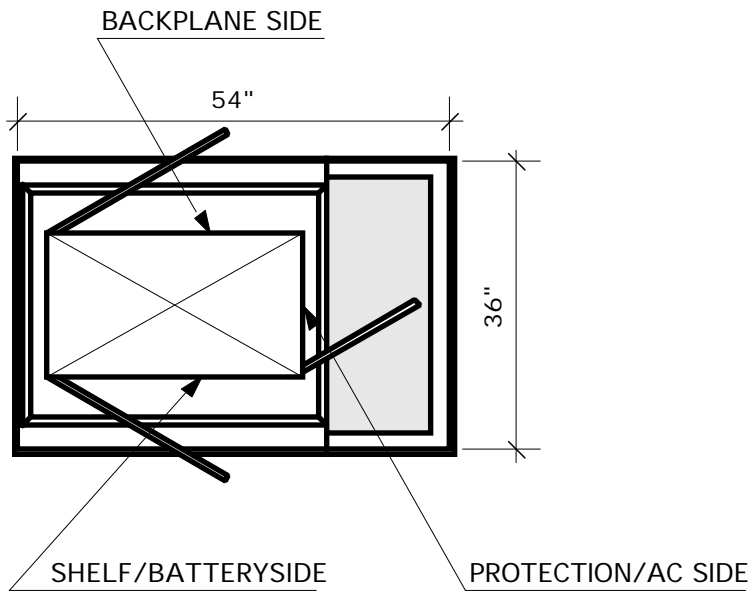


<b>Tunnel Mill Polymer, Inc.</b>	Action	By	Date
	Drawn	BD	12/4/98
	Checked	SD	12/7/98
	Revised	DO	1/8/01
	Revised		
TelStrat RDT144 on B365406-24 on U304836 Elevation -Planview	Drawing Number	Revision	
	DBBBCB	A	

A digital version of this drawing can be downloaded on the web @ [www.tunnelmill.com](http://www.tunnelmill.com)



The aluminum access panel, with safety tread plate, covers an opening as shown.

