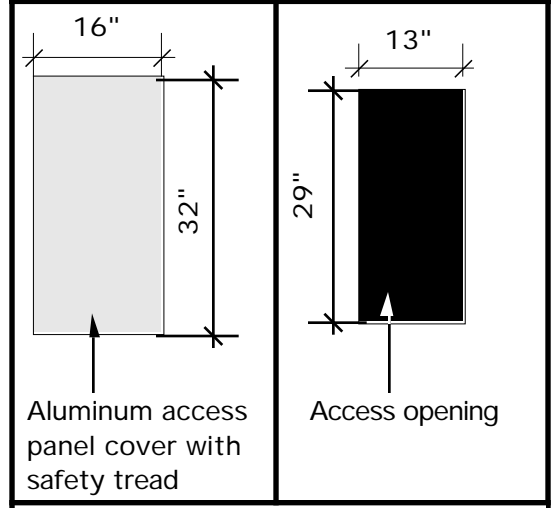


Tunnel Mill Polymer, Inc.	Action	By	Date
	Drawn	BD	12/4/98
	Checked	SD	12/7/98
	Revised	DO	1/5/01
	Revised		
TelStrat RDT 144 Mounted on B547806-00 / U487248 Elevations-Planview	Drawing Number	Revision	
	DBBBEA	A	

A digital version of this drawing can be downloaded on the web @ www.tunnelmill.com



The aluminum access panel, with safety tread plate, covers an opening as shown.

