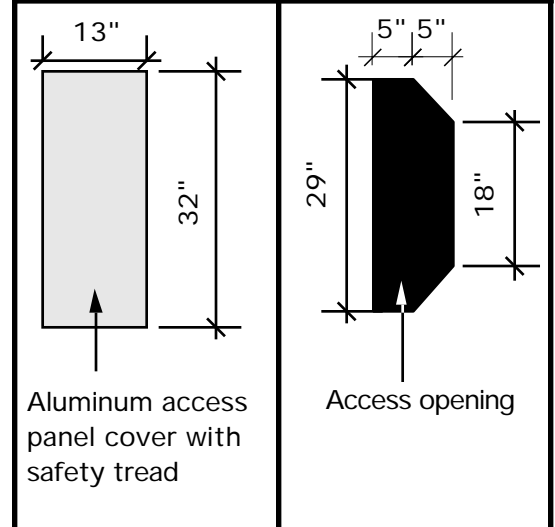


<b>Tunnel Mill Polymer, Inc.</b>	Action	By	Date
	Drawn	SD	12/4/98
	Checked	SD	12/7/98
	Revised	DO	1/9/01
	Revised		
TelStrat RDT 288 @90 Mounted on B365406-12 / U304836		Drawing Number	Revision
Elevations - Planview		DBBCBB	A

A digital version of this drawing can be downloaded on the web @ [www.tunnelmill.com](http://www.tunnelmill.com)



The aluminum access panel, with safety tread plate, covers an opening as shown.

