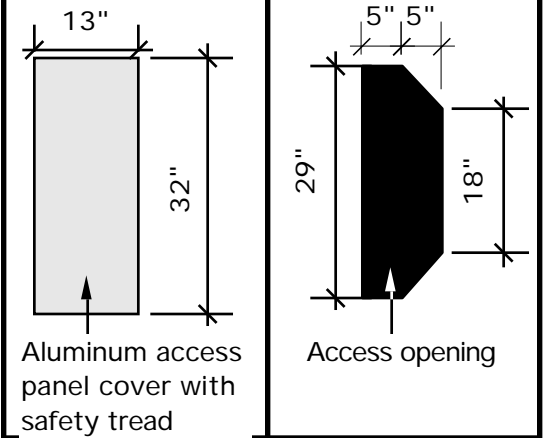
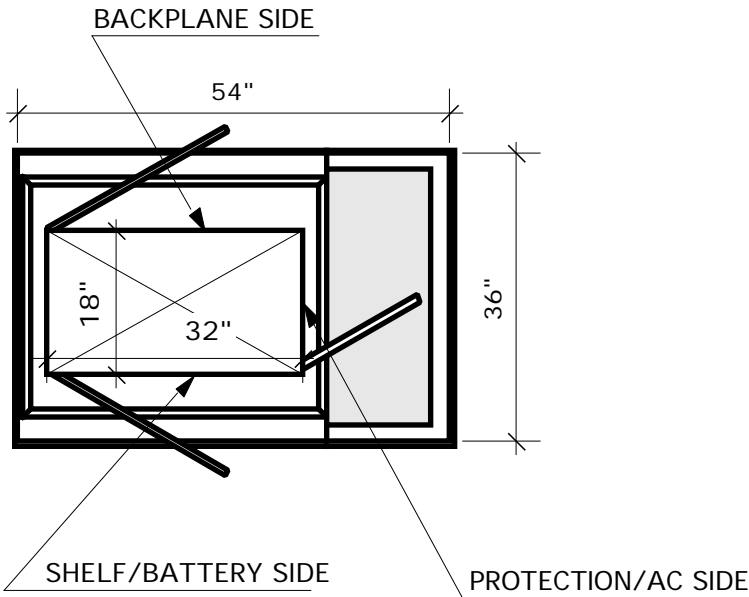


**Tunnel Mill
Polymer, Inc.**

Action	By	Date
Drawn	BD	12/4/98
Checked	SD	12/7/98
Revised	DO	1/8/01
Revised		
Revised		
Drawing Number		Revision
DBBCCB		A

TelStrat RDT288
on B365406-24
on U304836
Elevation
-Planview

A digital version of this drawing can be downloaded on
the web @ www.tunnelmill.com



The aluminum access panel, with safety tread plate, covers an opening as shown.

