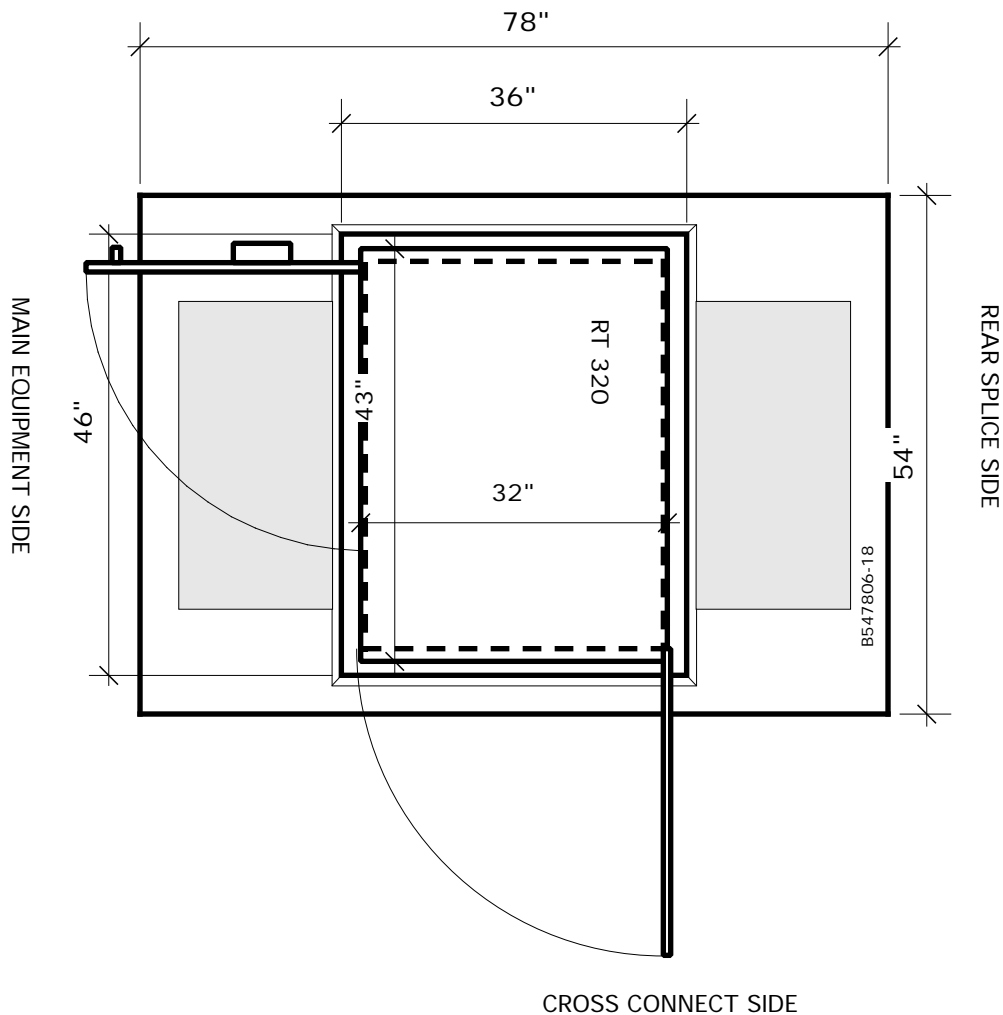
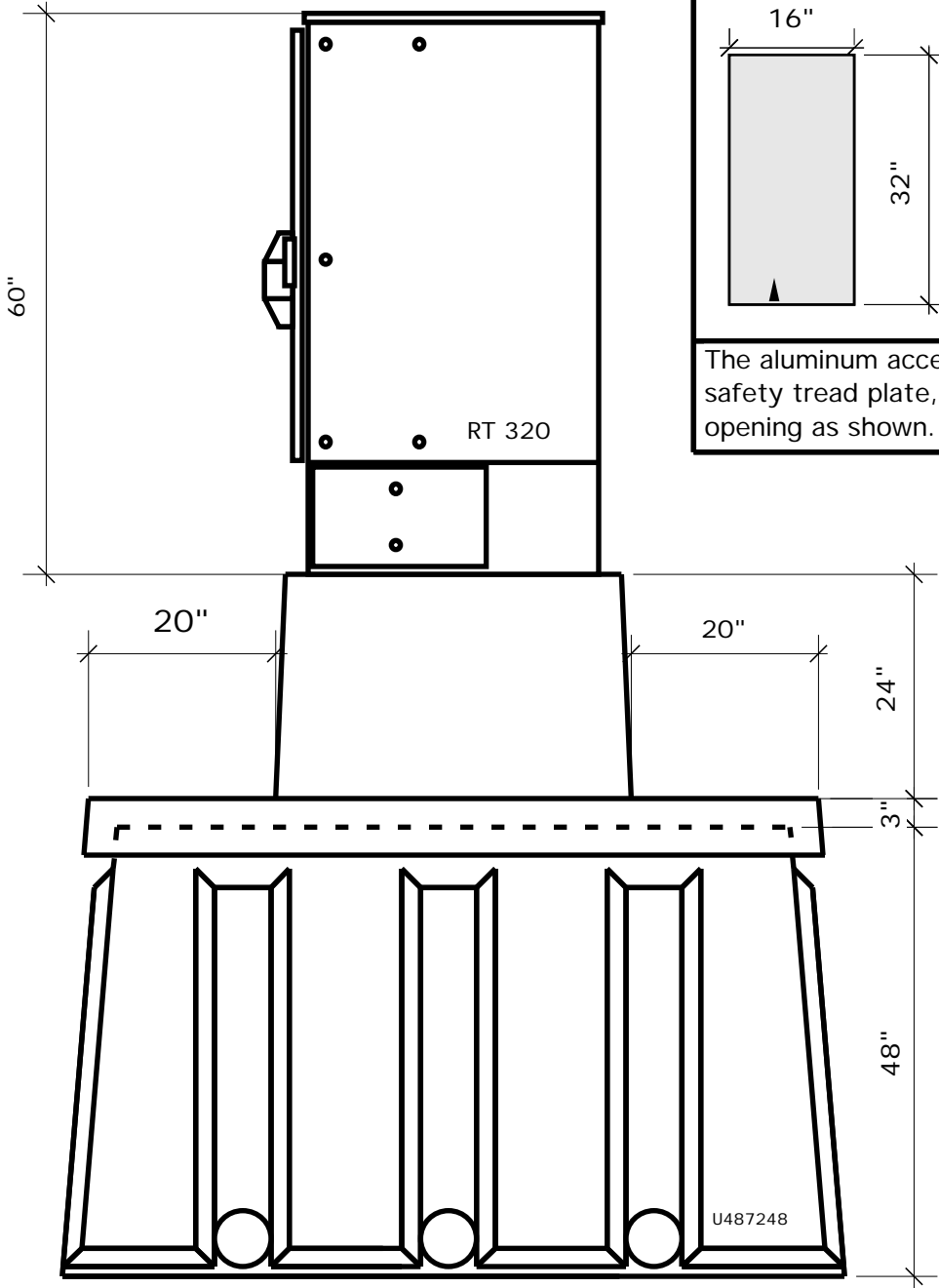
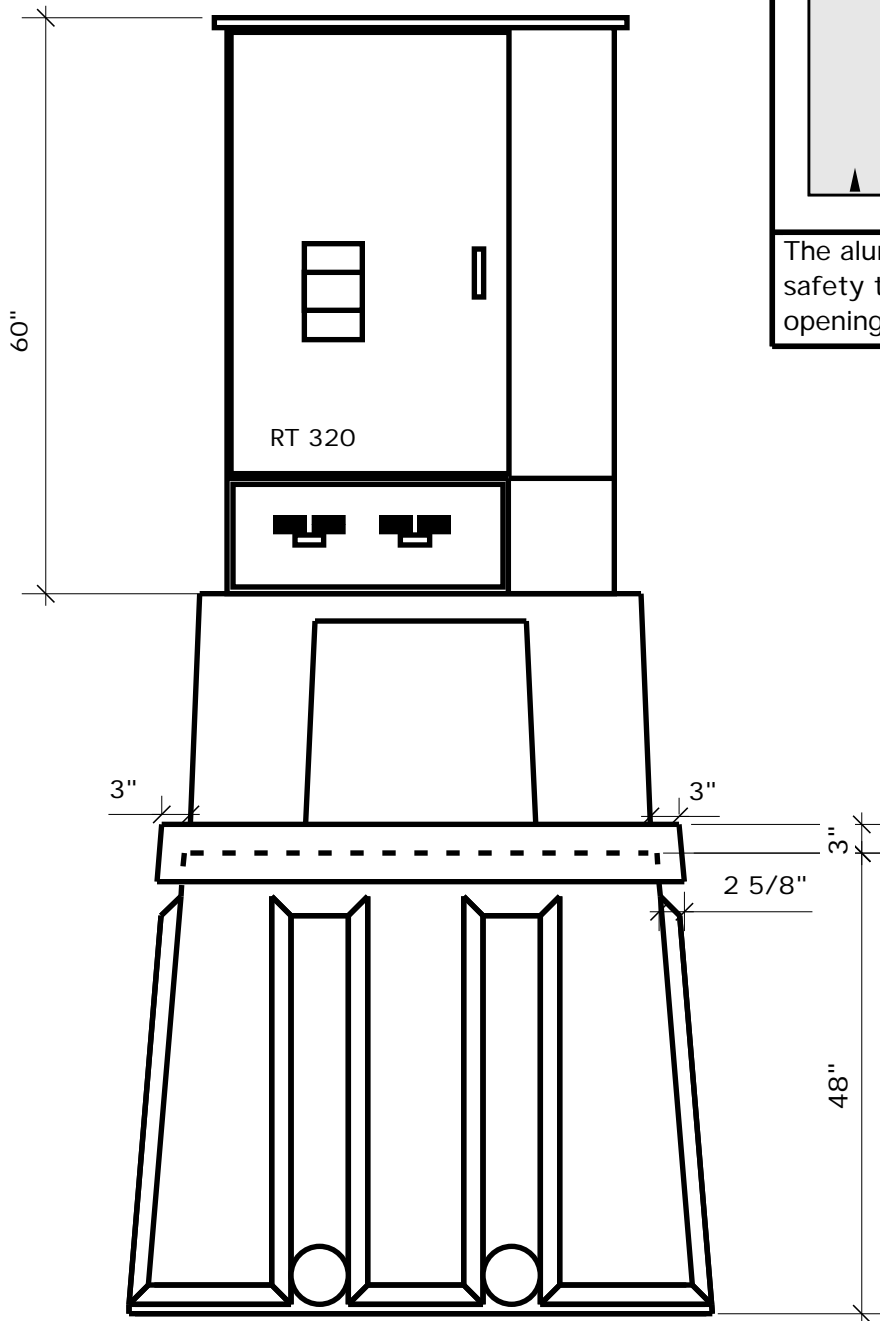


Tunnel Mill Polymer, Inc.	Action	By	Date
	Drawn	SD	8/6/03
	Checked	SD	8/6/03
	Revised		
Nextlevel 320 on B547806-24 U487248 Planview and Elevations Planview and Elevations	Revised		
	Revised		
	Revised		
	Drawing Number		Revision
	DBCAEA		A
The aluminum access panel, with safety tread plate, covers an opening as shown.			



Tunnel Mill Polymer, Inc.	Action	By	Date
	Drawn	SD	8/6/03
	Checked	SD	8/6/03
	Revised		
Nextlevel 320 on B547806-24 U487248 Planview and Elevations Planview and Elevations	Revised		
	Revised		
	Revised		
	Drawing Number		Revision
	DBCAEA		A
The aluminum access panel, with safety tread plate, covers an opening as shown.			





Tunnel Mill Polymer, Inc.	Action	By	Date
	Drawn	SD	8/6/03
	Checked	SD	8/6/03
	Revised		
Nextlevel 320 on B547806-24 U487248 Planview and Elevations	Revised		
	Revised		
	Revised		
	Revised		
Drawing Number		Revision	
DBCAEA		A	
<p>16" 32"</p>		<p>14 1/2" 29"</p>	
The aluminum access panel, with safety tread plate, covers an opening as shown.			