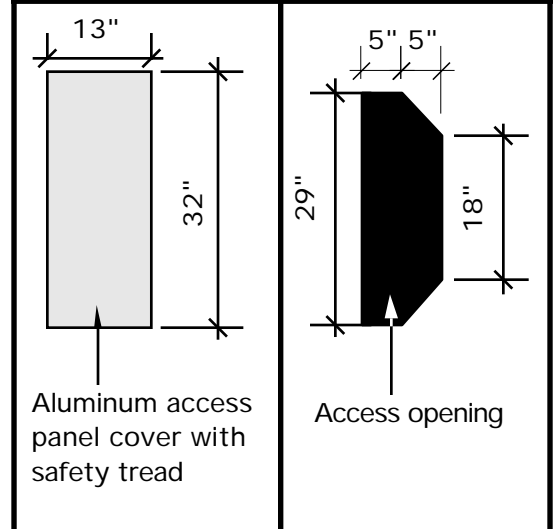


| | | |
|--------------------------------------|----|----------|
| Tunnel Mill Polymer, Inc. | | |
| Action | By | Date |
| Drawn | BD | 12/4/98 |
| Checked | SD | 12/7/98 |
| Revised | DO | 1/8/01 |
| Revised | | |
| Revised | | |
| Drawing Number | | Revision |
| DBCBA | | A |

RT 410
on B365406-00
on U304824
Elevation -
Planview

A digital version of this drawing can be downloaded on the web @ www.tunnelmill.com



The aluminum access panel, with safety tread plate, covers an opening as shown.

[View a DWG file.](#) [Back to main catalog.](#)

