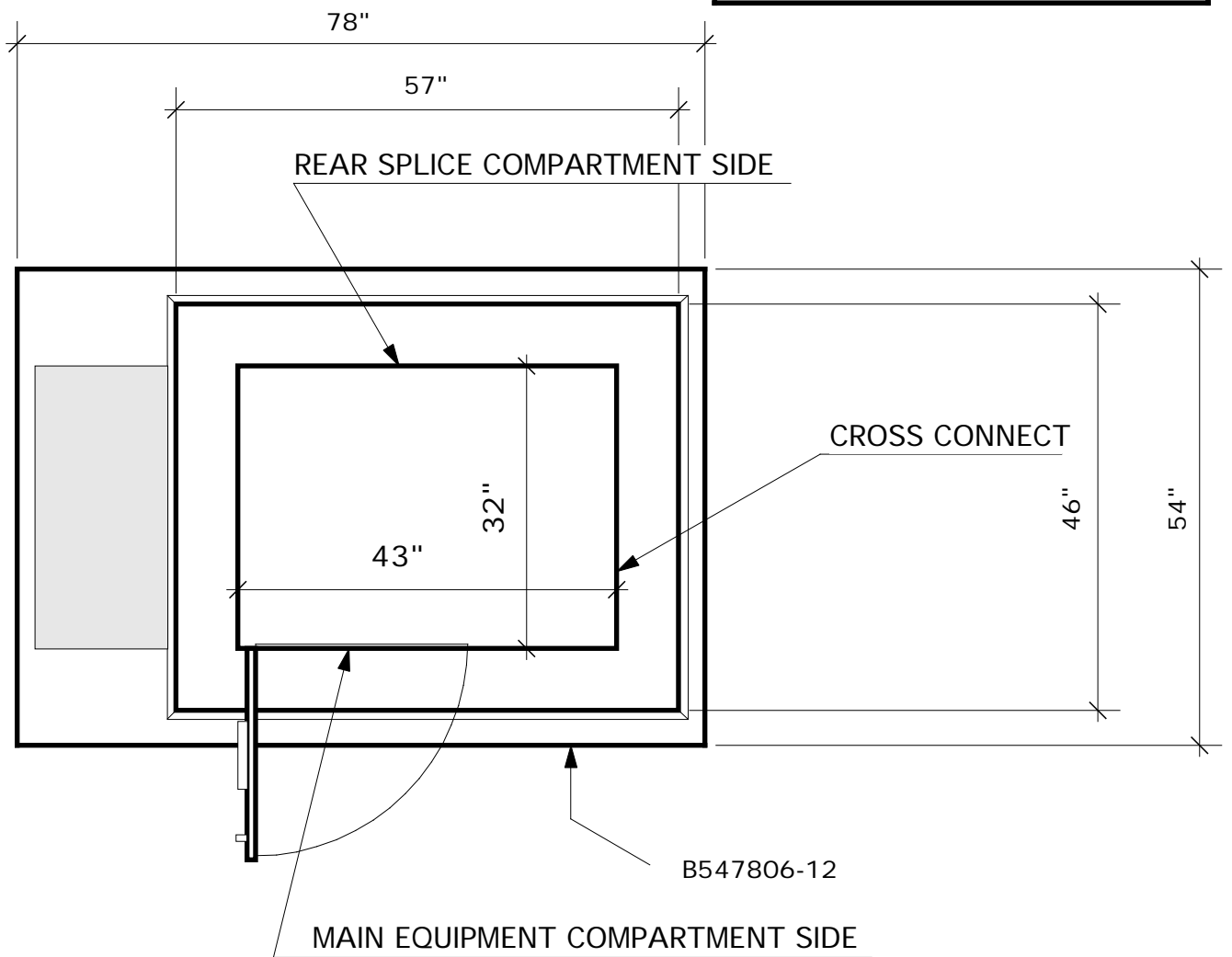
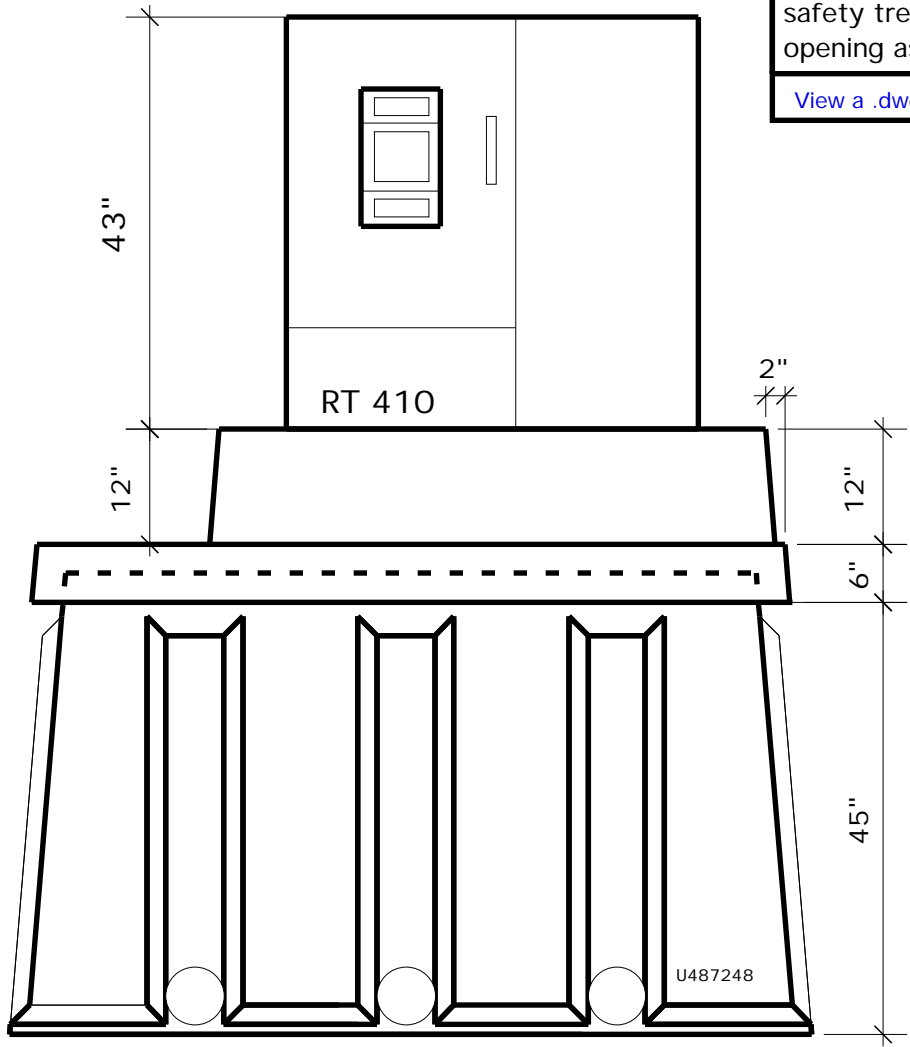


Tunnel Mill Polymer, Inc.	Action	By	Date
	Drawn	BD	9/9/043
	Checked	SD	9/9/04
	Revised		
Nextlevel 410 on B547806-12 / U487248 Elevations and Planview	Revised		
	Revised		
	Revised		
	Drawing Number	Revision	
	DBCBD A	A	
The aluminum access panel, with safety tread plate, covers an opening as shown.			



Tunnel Mill Polymer, Inc.	Action	By	Date
	Drawn	BD	9/9/04
	Checked	SD	9/9/04
	Revised		
Nextlevel 410 on B547806-12 / U487248 Elevations and Planview	Revised		
	Revised		
	Revised		
	Drawing Number		Revision
DBCBD A		A	
		<p>The aluminum access panel, with safety tread plate, covers an opening as shown.</p>	
View a .dwg file		Return to Catalog	



Tunnel Mill Polymer, Inc.	Action	By	Date
	Drawn	BD	9/9/04
	Checked	SD	9/9/04
	Revised		
Nextlevel 410 B547806-12/ U487248 Elevations and Planview	Revised		
	Revised		
	Revised		
	Drawing Number		Revision
	DBDDCA		A
The aluminum access panel, with safety tread plate, covers an opening as shown.			
View a .dwg file		Return to Catalog	

