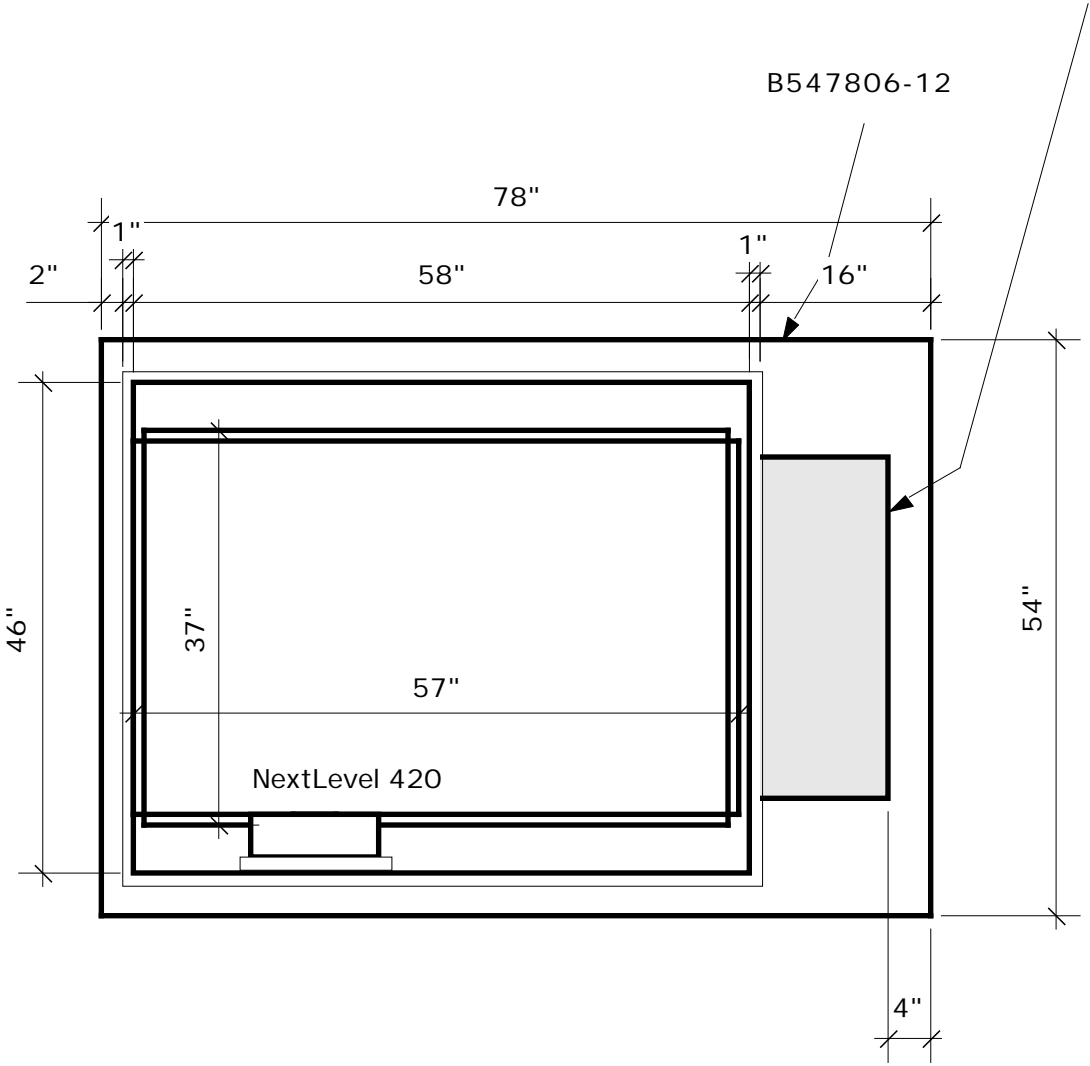


Removable Aluminum Safety  
Tread Plate Hatch, 13 by 32"  
Clear opening 13 by 29"

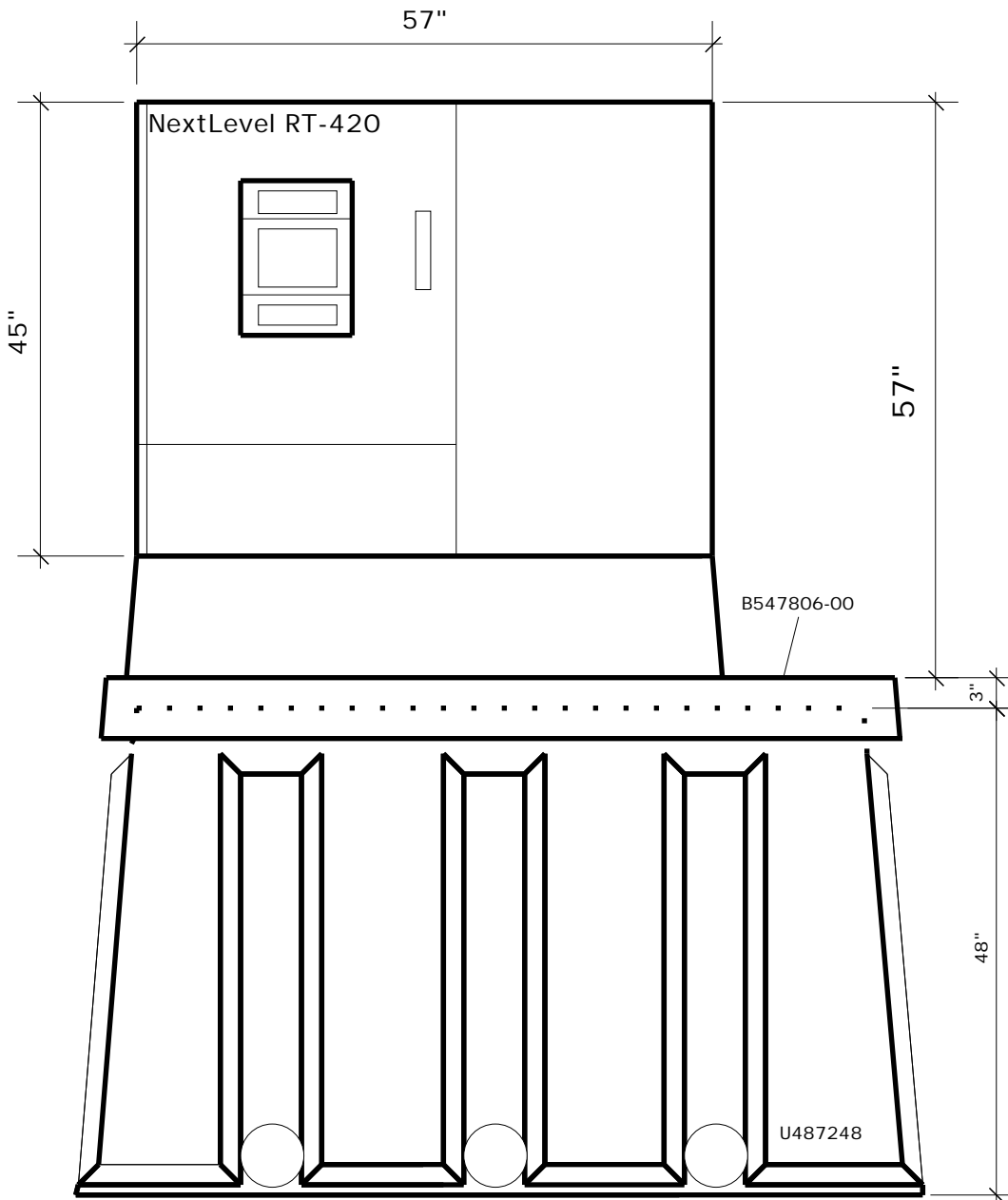


<b><i>Tunnel Mill Polymer, Inc.</i></b>	Action	By	Date
	Drawn	SD	5/16/00
B547806-12 with U487248 for NextLevel RT420 - Planview	Checked	SD	5/16/00
	Revised		
	Revised		
	Revised		
	Revised		
Drawing Number	Revision		
DBCCBA	A		

**Tunnel Mill  
Polymer, Inc.**

B547806-12 with  
U487248 for  
NextLevel RT420  
- Elevations

Action	By	Date
Drawn	SD	5/16/00
Checked	SD	5/16/00
Revised		
Revised		
Revised		
Drawing Number		Revision
DBCCBA		A



***Tunnel Mill  
Polymer, Inc.***

B547806-12 with  
U487248 for  
NextLevel RT420  
- Elevations

Action	By	Date
Drawn	SD	5/16/00
Checked	SD	5/16/00
Revised		
Revised		
Revised		
Drawing Number		Revision
DBCCBA		A

