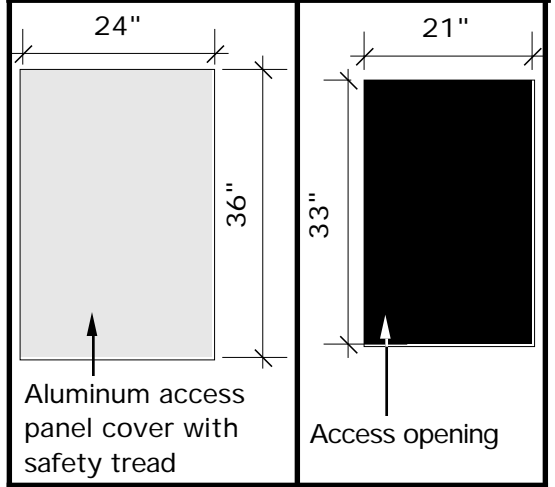


<b>Tunnel Mill Polymer, Inc.</b>	Action	By	Date
	Drawn	BD	12/4/98
	Checked	SD	12/7/98
	Revised	DO	1/5/01
	Revised		
RT 810 Mounted on B547806-00 / U487248 Elevations - Planview	Drawing Number	Revision	
	DBCDBA	A	

A digital version of this drawing can be downloaded on the web @ [www.tunnelmill.com](http://www.tunnelmill.com)



The aluminum access panel, with safety tread plate, covers an opening as shown.

[View a DWG file.](#) [Back to main catalog.](#)

