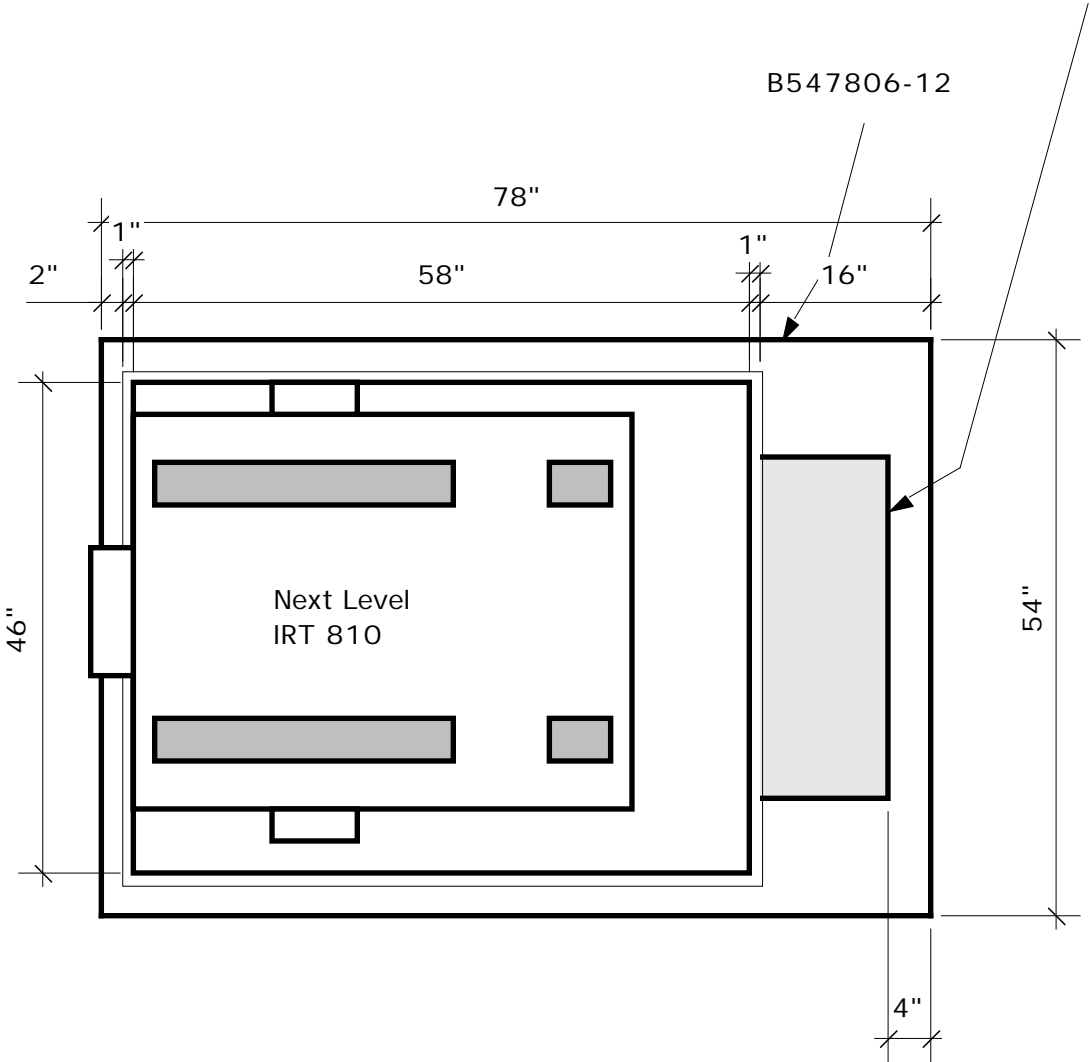


Removable Aluminum Safety
Tread Plate Hatch, 13 by 32"
Clear opening 11 1/2" by 29"



**Tunnel Mill
Polymer, Inc.**

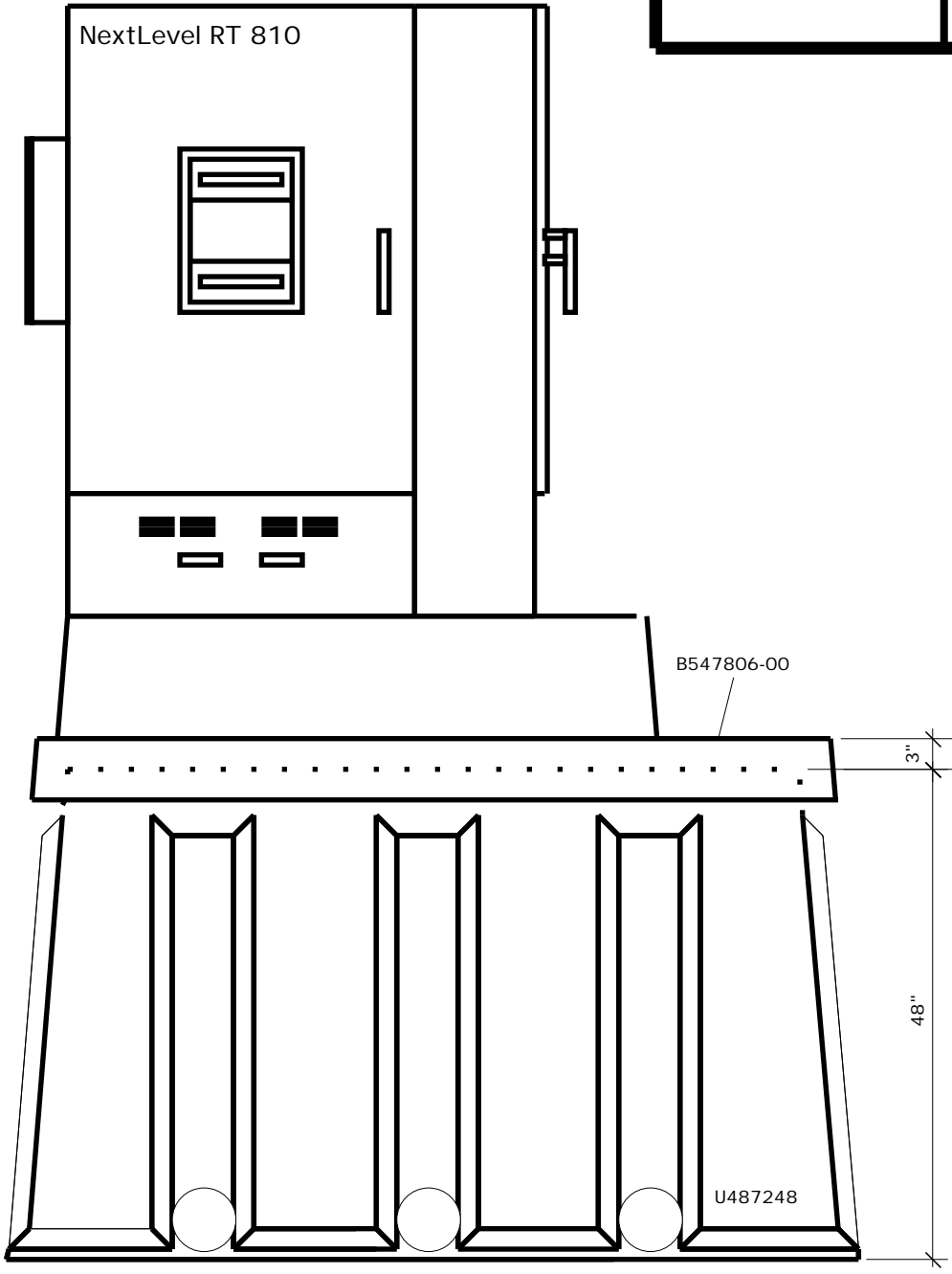
B547806-12 with
U487248 for
NextLevel RT810 -
Planview

Action	By	Date
Drawn	SD	5/16/00
Checked	SD	5/16/00
Revised	SD	6/22/04
Revised		
Revised		
Drawing Number		Revision
DBCDC A		A

***Tunnel Mill
Polymer, Inc.***

B547806-12 with
U487248 for
NextLevel RT810 -
Elevations

Action	By	Date
Drawn	SD	5/16/00
Checked	SD	5/16/00
Revised		
Revised		
Revised		
Drawing Number		Revision
DBCDCA		A



***Tunnel Mill
Polymer, Inc.***

B547806-12 with
U487248 for
NextLevel RT810 -
Elevations

Action	By	Date
Drawn	SD	5/16/00
Checked	SD	5/16/00
Revised		
Revised		
Revised		
Drawing Number		Revision
DBCDC A		A

