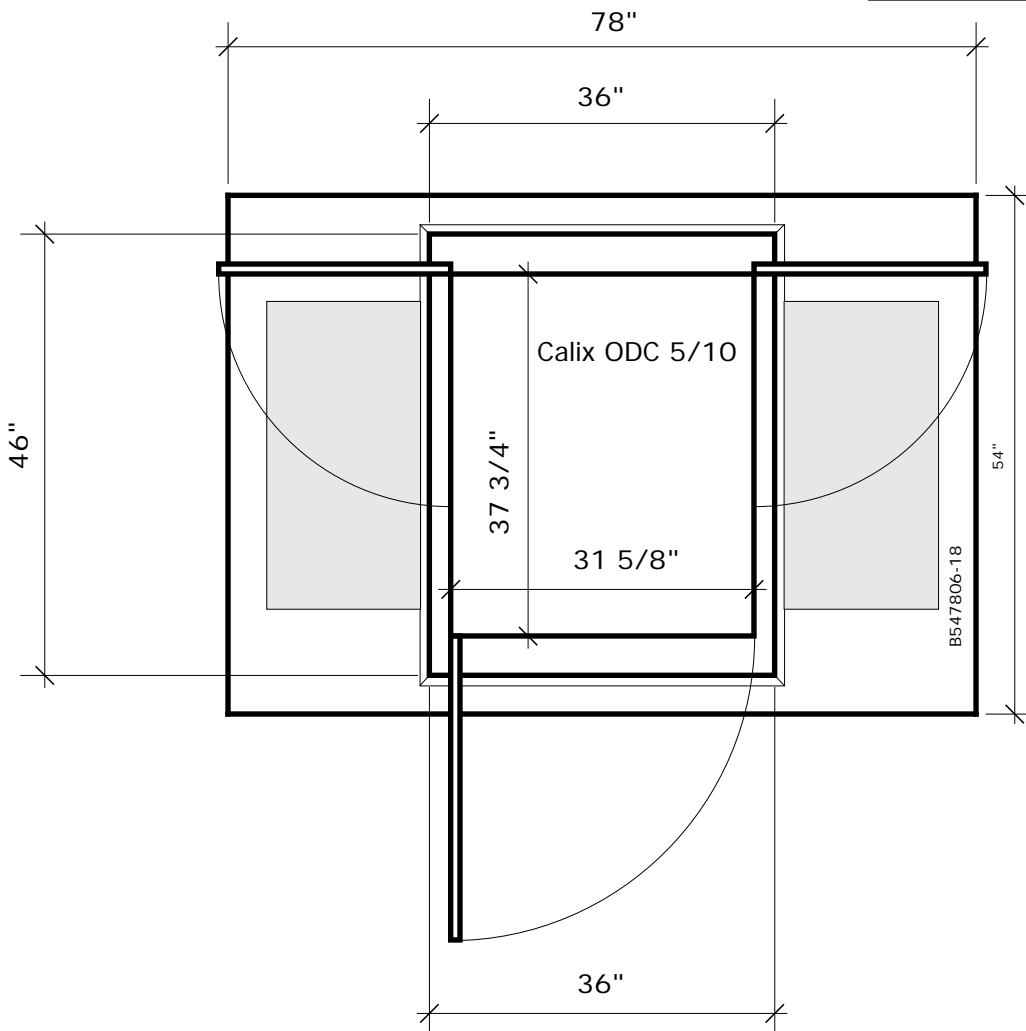
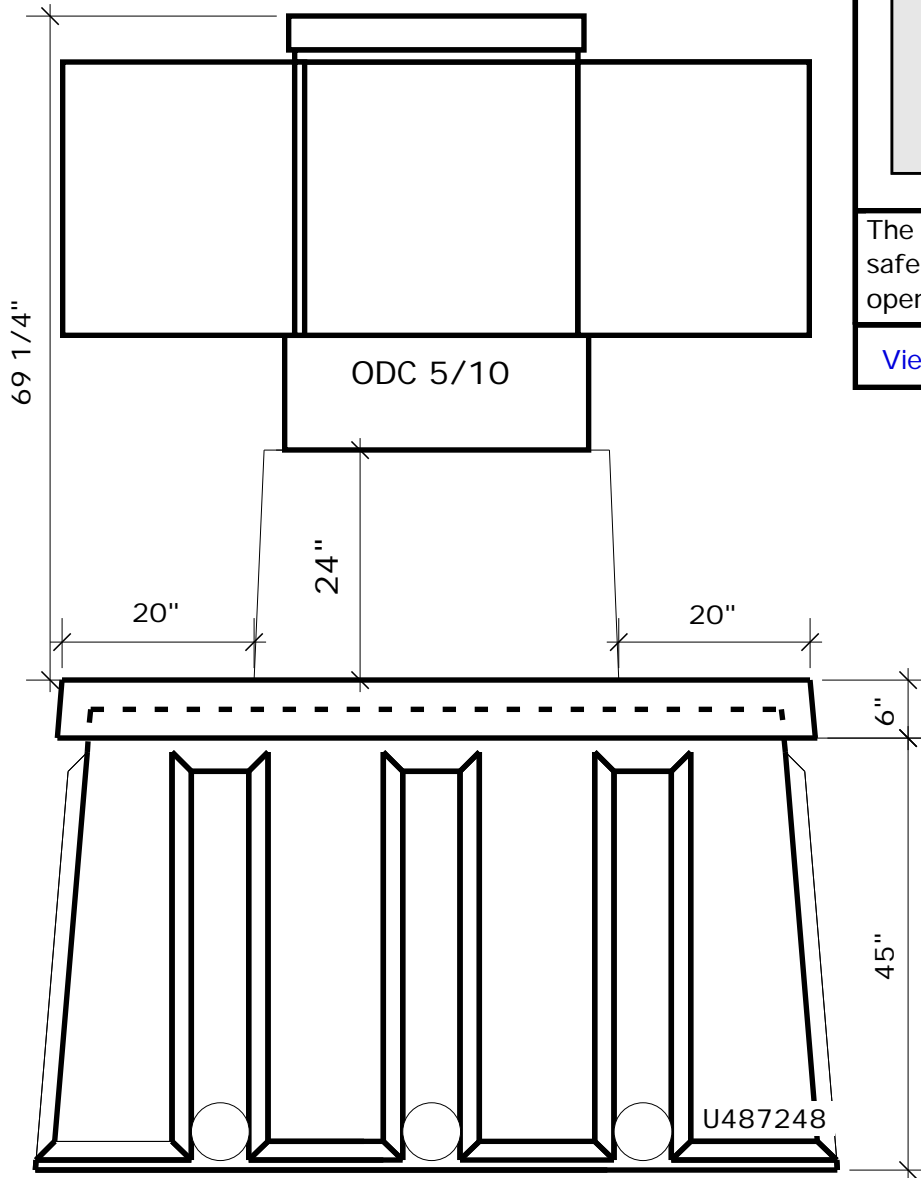


Tunnel Mill Polymer, Inc.	Action	By	Date
	Drawn	SD	5/8/02
	Checked	SD	5/8/02
	Revised		
Calix ODC 5/10 on B547806-24 U487248 Planview and Elevations	Revised		
	Revised		
	Revised		
	Drawing Number		Revision
DBDADA		A	
The aluminum access panel, with safety tread plate, covers an opening as shown.			
View a .dwg file		Return to Catalog	





Tunnel Mill Polymer, Inc.	Action	By	Date
	Drawn	SD	5/8/02
	Checked	SD	5/8/02
	Revised		
Calix ODC 5 /10 on B547806-24 U487248 Planview and Elevations	Revised		
	Revised		
	Revised		
	Revised		
Drawing Number		Revision	
DBDADA		A	
The aluminum access panel, with safety tread plate, covers an opening as shown.			
View a .dwg file		Return to Catalog	

Tunnel Mill Polymer, Inc.	Action	By	Date
	Drawn	SD	5/8/02
	Checked	SD	5/8/02
	Revised		
Calix ODC 5/10 on B547806-24 U487248 Planview and Elevations	Revised		
	Revised		
	Revised		
	Revised		
Drawing Number		Revision	
DBDADA		A	
The aluminum access panel, with safety tread plate, covers an opening as shown.			
View a .dwg file		Return to Catalog	

