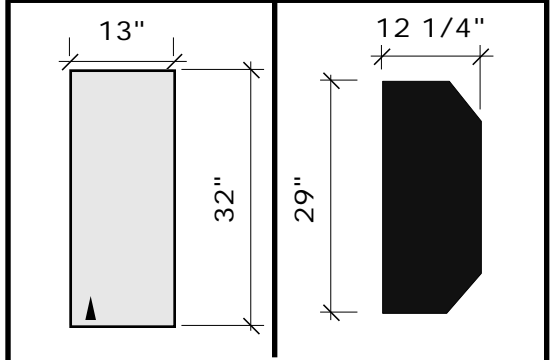


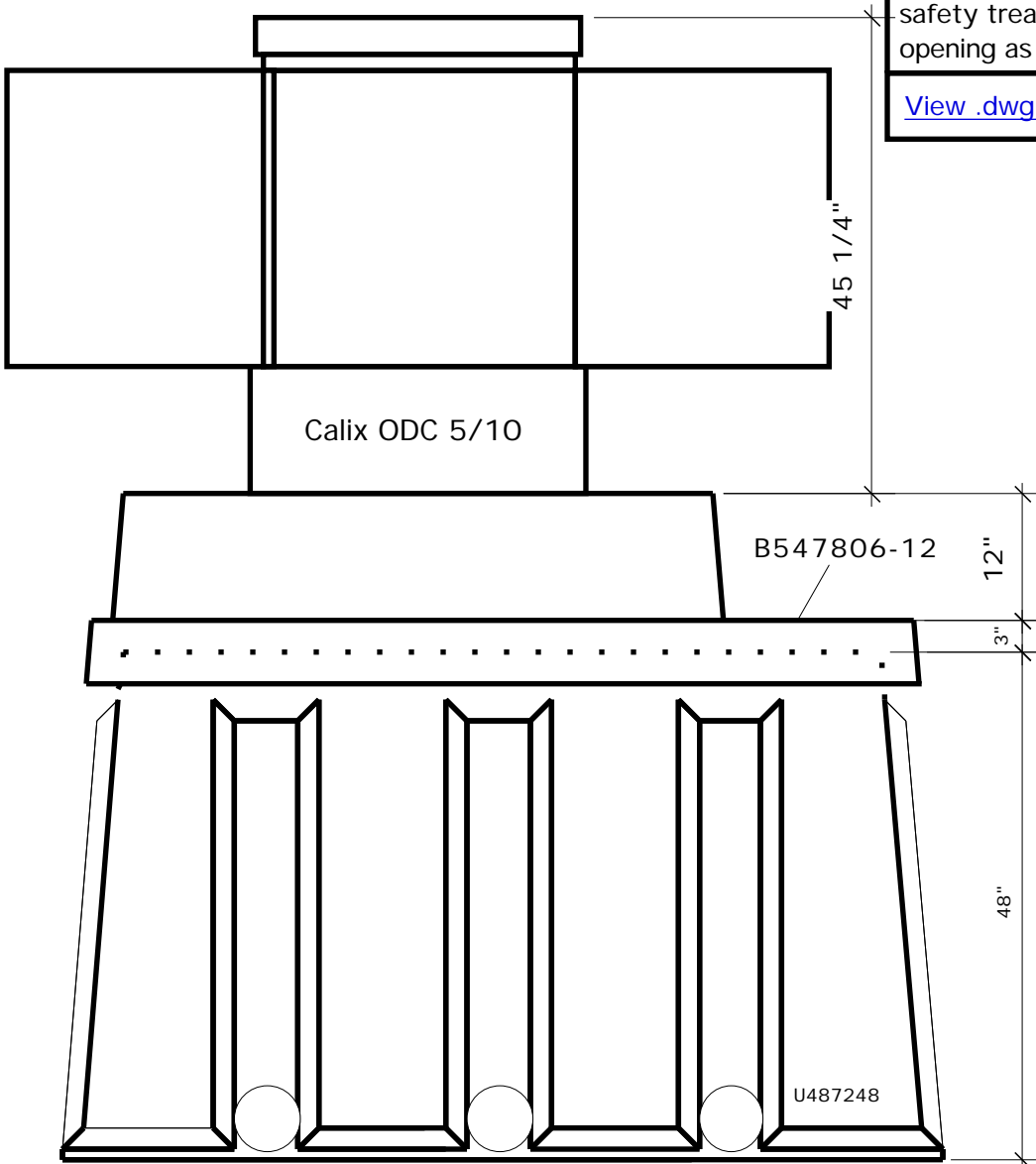
Tunnel Mill Polymer, Inc.	Action	By	Date
	Drawn	SD	4/23/02
	Checked	SD	4/23/02
	Revised		
	Revised		
Calix ODC 5 / 10 on B547806-12/ U487248 Planview	Revised		
	Revised		
	Revised		
Drawing Number		Revision	
DBDAEA		A	
The aluminum access panel, with safety tread plate, covers an opening as shown.			
View .dwg file		Return to Catalog	

Tunnel Mill Polymer, Inc.		
Action	By	Date
Drawn	SD	4/23/02
Checked	SD	4/23/02
Revised		
Revised		
Revised		
Drawing Number		Revision
DBDAEA		A

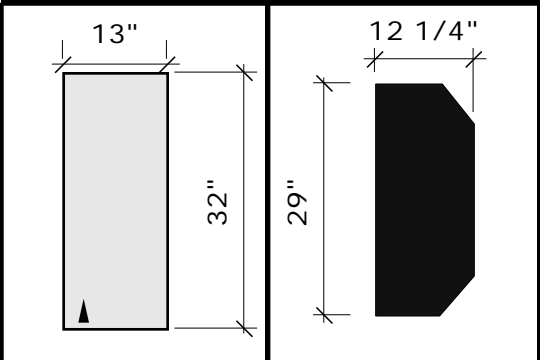


The aluminum access panel, with safety tread plate, covers an opening as shown.

[View .dwg file](#) [Return to Catalog](#)



Tunnel Mill Polymer, Inc.	Action	By	Date
	Drawn	SD	4/23/02
	Checked	SD	4/23/02
	Revised		
Calix ODC 5 / 10 on B547806-12/ U487248 Elevation	Revised		
	Revised		
	Revised		
	Drawing Number		Revision
DBDAEA		A	



The aluminum access panel, with safety tread plate, covers an opening as shown.

[View .dwg file](#) [Return to Catalog](#)

