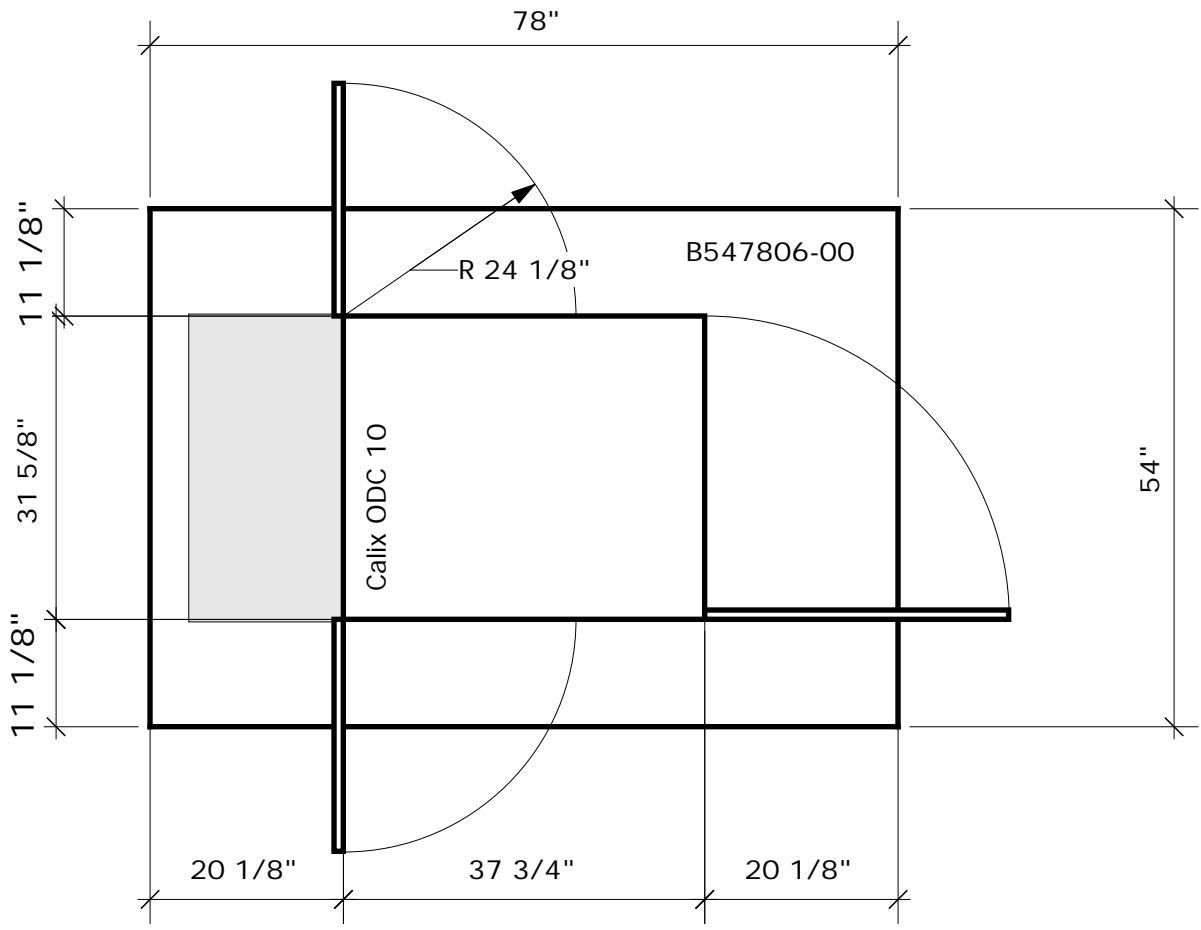
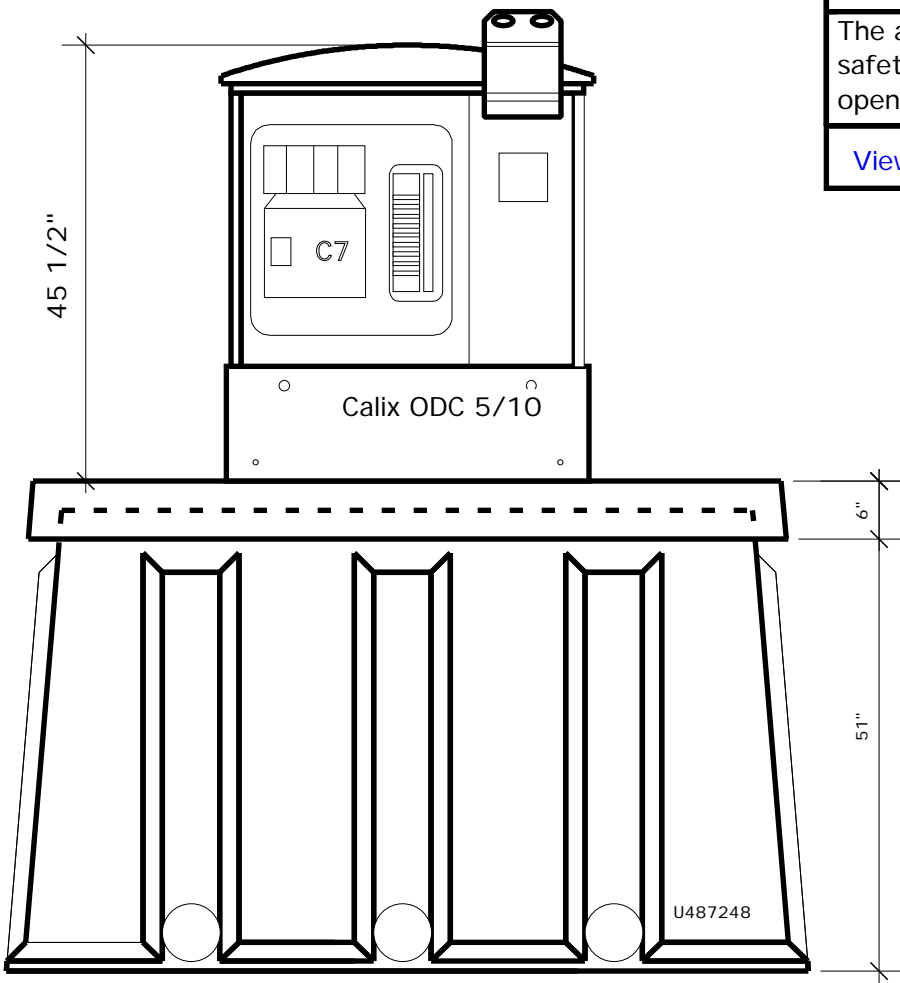


Tunnel Mill Polymer, Inc.	Action	By	Date
	Drawn	SD	5/8/02
	Checked	SD	5/8/02
	Revised		
Calix ODC 5/10 @ 90 on B547806-00 / U487248 Planview and Elevations	Revised		
	Revised		
	Revised		
	Drawing Number		Revision
DBDBCA		A	
The aluminum access panel, with safety tread plate, covers an opening as shown.			
View a .dwg file		Return to Catalog	



Tunnel Mill Polymer, Inc.	Action	By	Date
	Drawn	SD	5/8/02
	Checked	SD	5/8/02
	Revised		
Calix ODC 5 /10 @ 90 on B547806-00 / U487248 Planview and Elevations	Revised		
	Revised		
	Revised		
	Drawing Number		Revision
	DBDBCA		A
The aluminum access panel, with safety tread plate, covers an opening as shown.			
View a .dwg file		Return to Catalog	



Tunnel Mill Polymer, Inc.	Action	By	Date
	Drawn	SD	5/8/02
Calix ODC 5/10 @ 90 on B547806-00 U487248 Planview and Elevations	Checked	SD	5/8/02
	Revised		
	Revised		
	Revised		
	Revised		
Drawing Number		Revision	
DBDBCA		A	
The aluminum access panel, with safety tread plate, covers an opening as shown.			
View a .dwg file		Return to Catalog	

