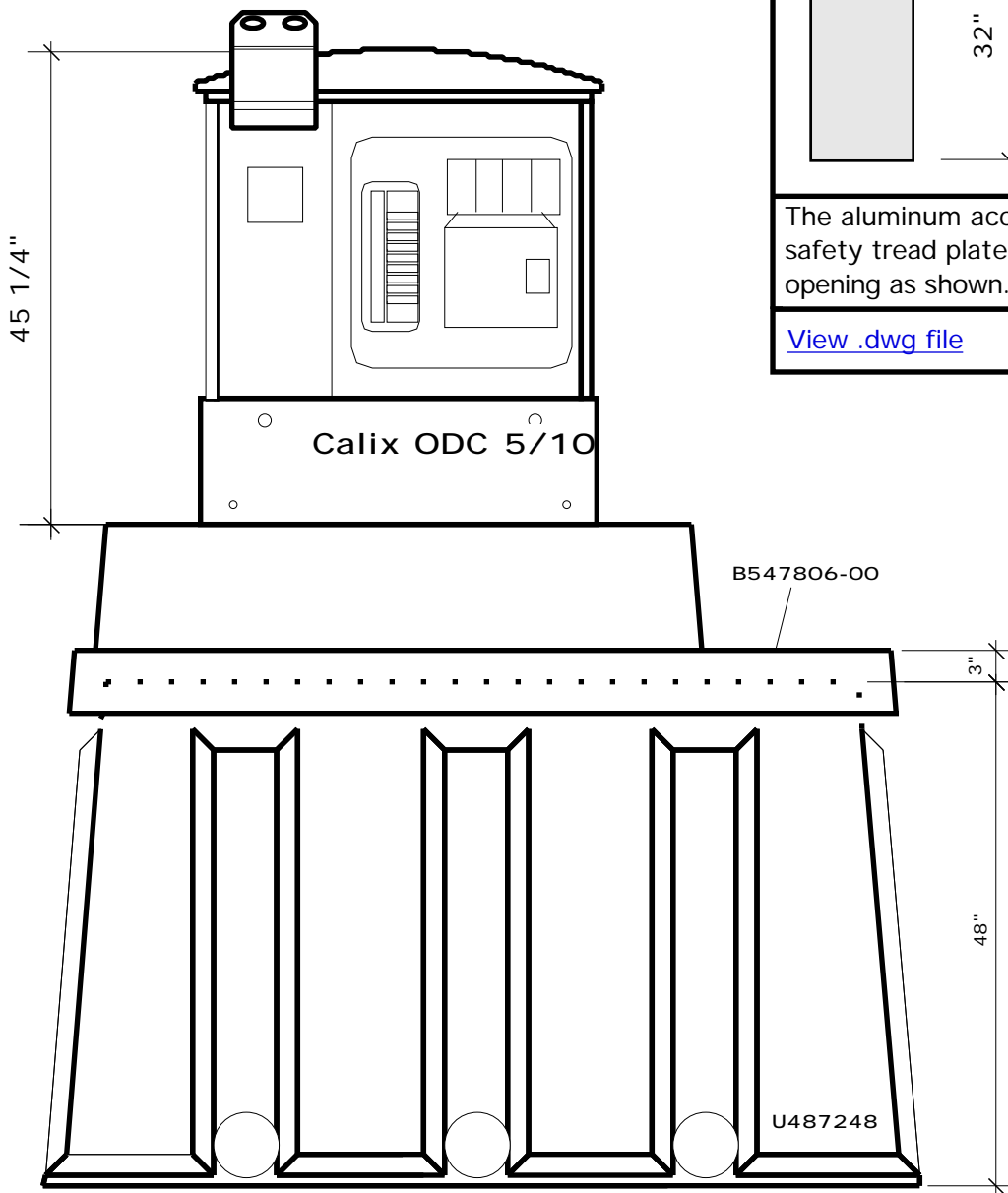
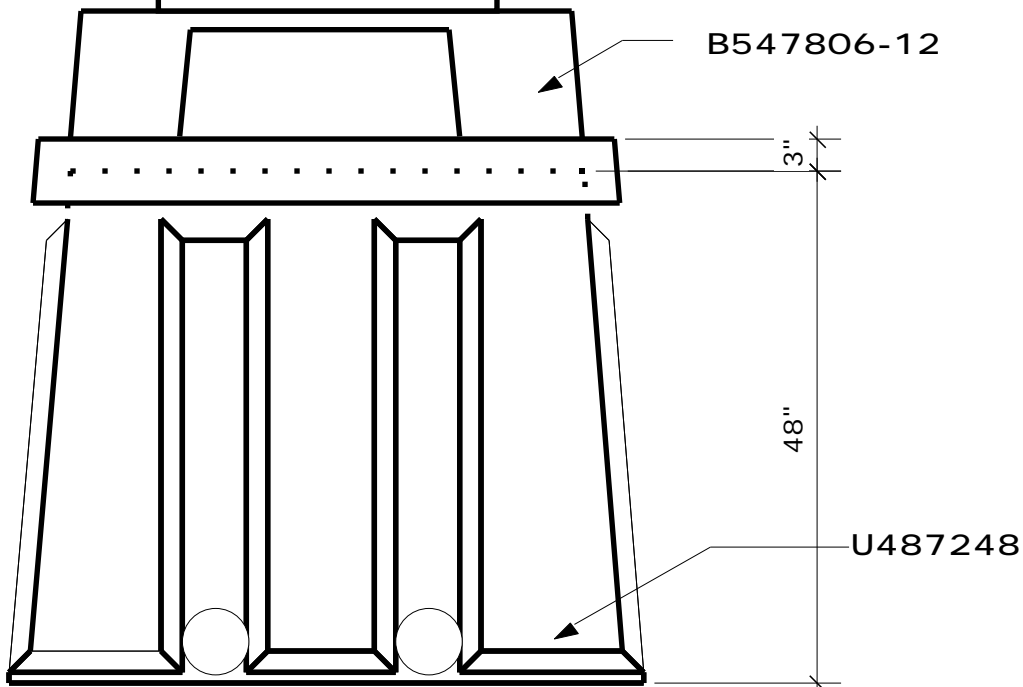
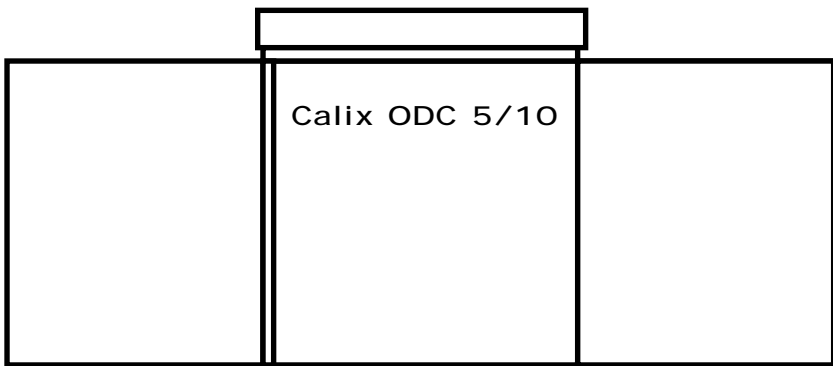


Removable Aluminum Safety
Tread Plate Hatch, 13 by 32"
Clear opening 13 by 29"

Tunnel Mill Polymer, Inc.	Action	By	Date
	Drawn	SD	5/8/02
	Checked	SD	5/8/02
	Revised		
	Revised		
Calix ODC 5 / 10 @ 90 on B547806-12 / U487248 Planview and Elevations	Revised		
	Drawing Number		Revision
	DBDDBA		A
<p>13" 32"</p>	<p>12 1/4" 29"</p>		
The aluminum access panel, with safety tread plate, covers an opening as shown.			
View .dwg file		Return to Catalog	



Tunnel Mill Polymer, Inc.	Action	By	Date
	Drawn	SD	5/8/02
	Checked	SD	5/8/02
	Revised		
Calix ODC 5 / 10 @ 90 on B547806-12 / U487248 Planview and Elevations	Revised		
	Revised		
	Revised		
	Revised		
Drawing Number		Revision	
DBDDBA		A	
The aluminum access panel, with safety tread plate, covers an opening as shown.			
View .dwg file		Return to Catalog	



Tunnel Mill Polymer, Inc.	Action	By	Date
	Drawn	SD	5/8/02
	Checked	SD	5/8/02
	Revised		
Calix ODC 5 / 10 @ 90 on B547806-12 / U487248 Planview and Elevations	Revised		
	Revised		
	Revised		
	Drawing Number		Revision
	DBDDBA		A
The aluminum access panel, with safety tread plate, covers an opening as shown.			
View .dwg file		Return to Catalog	