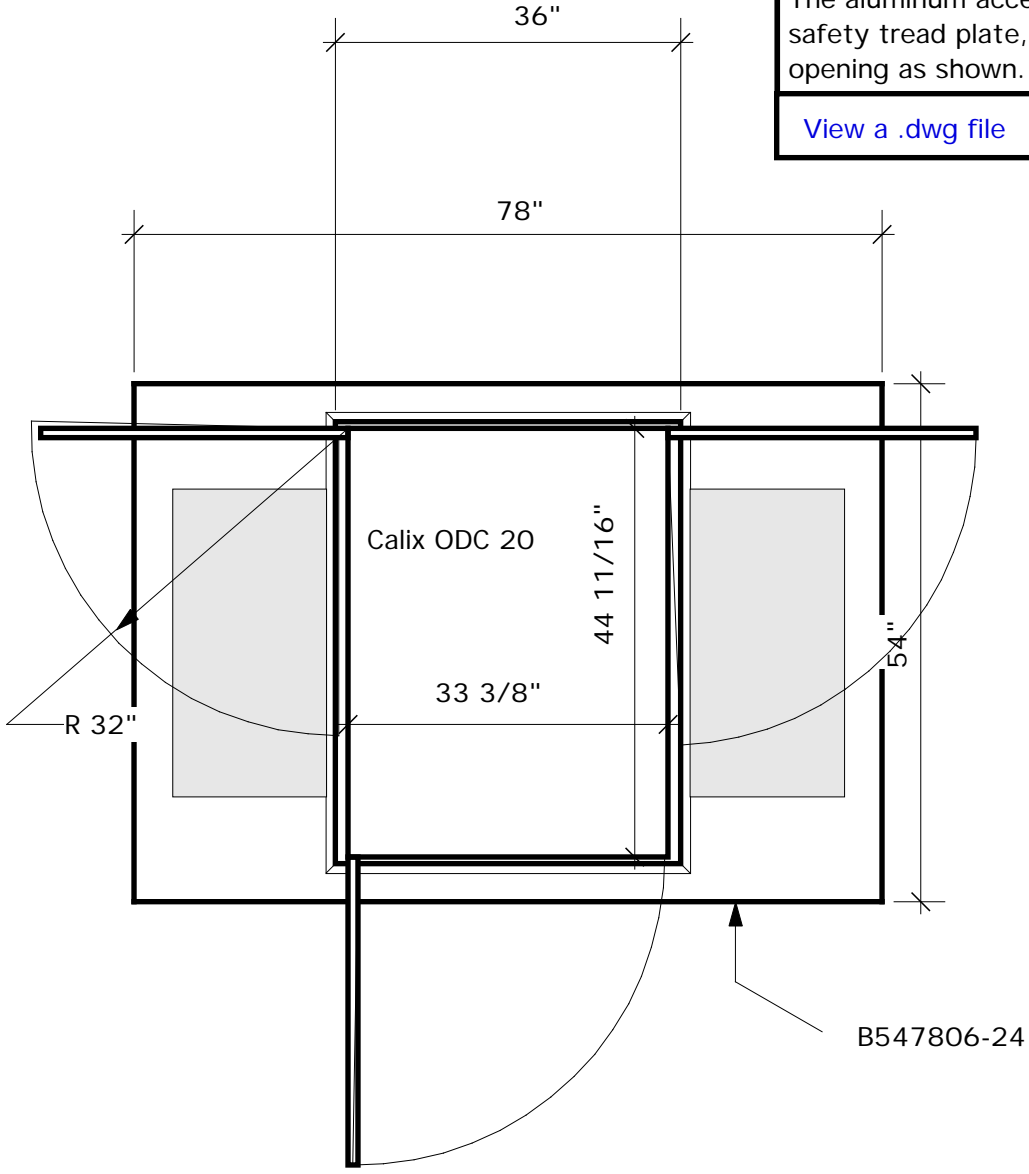
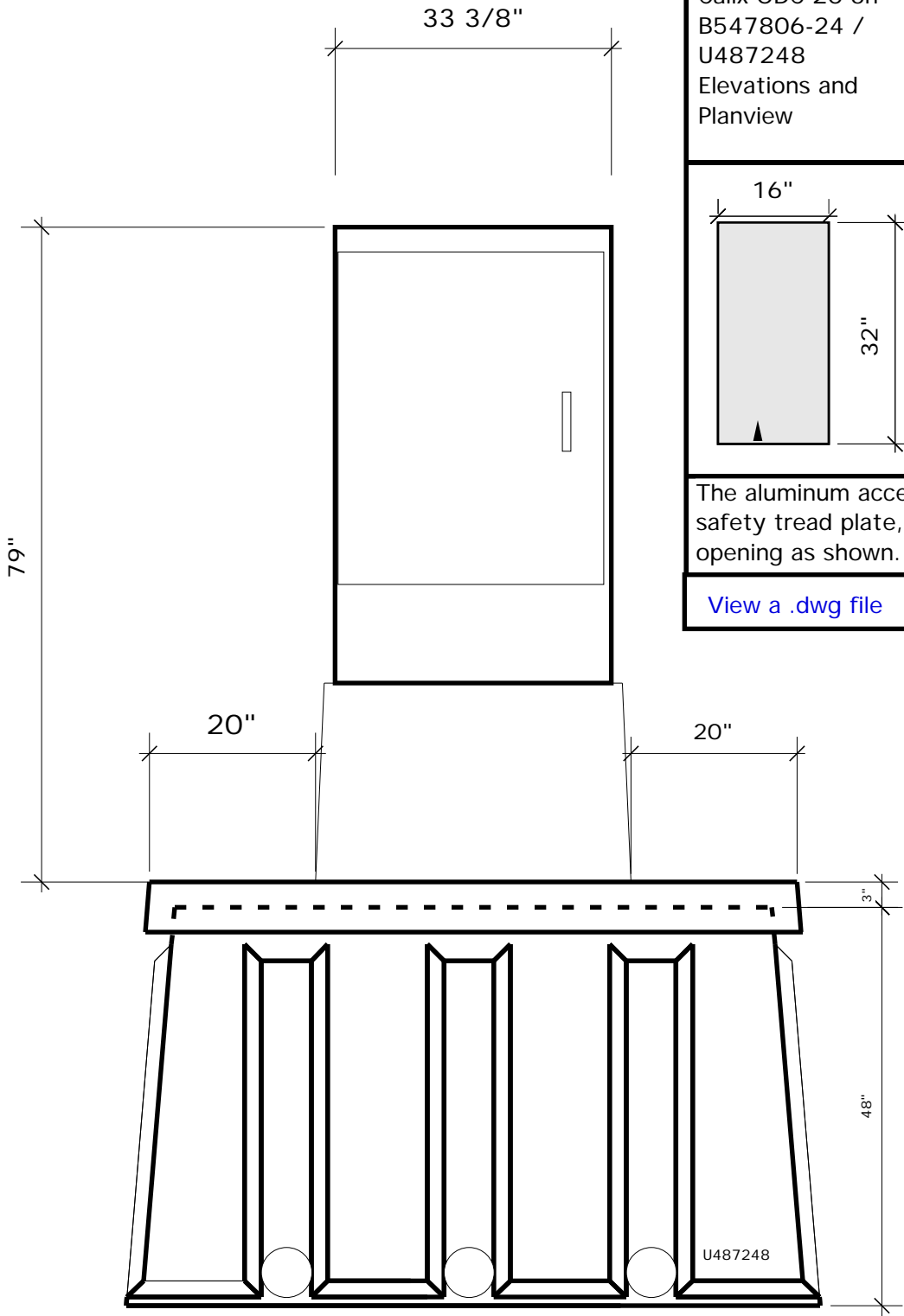
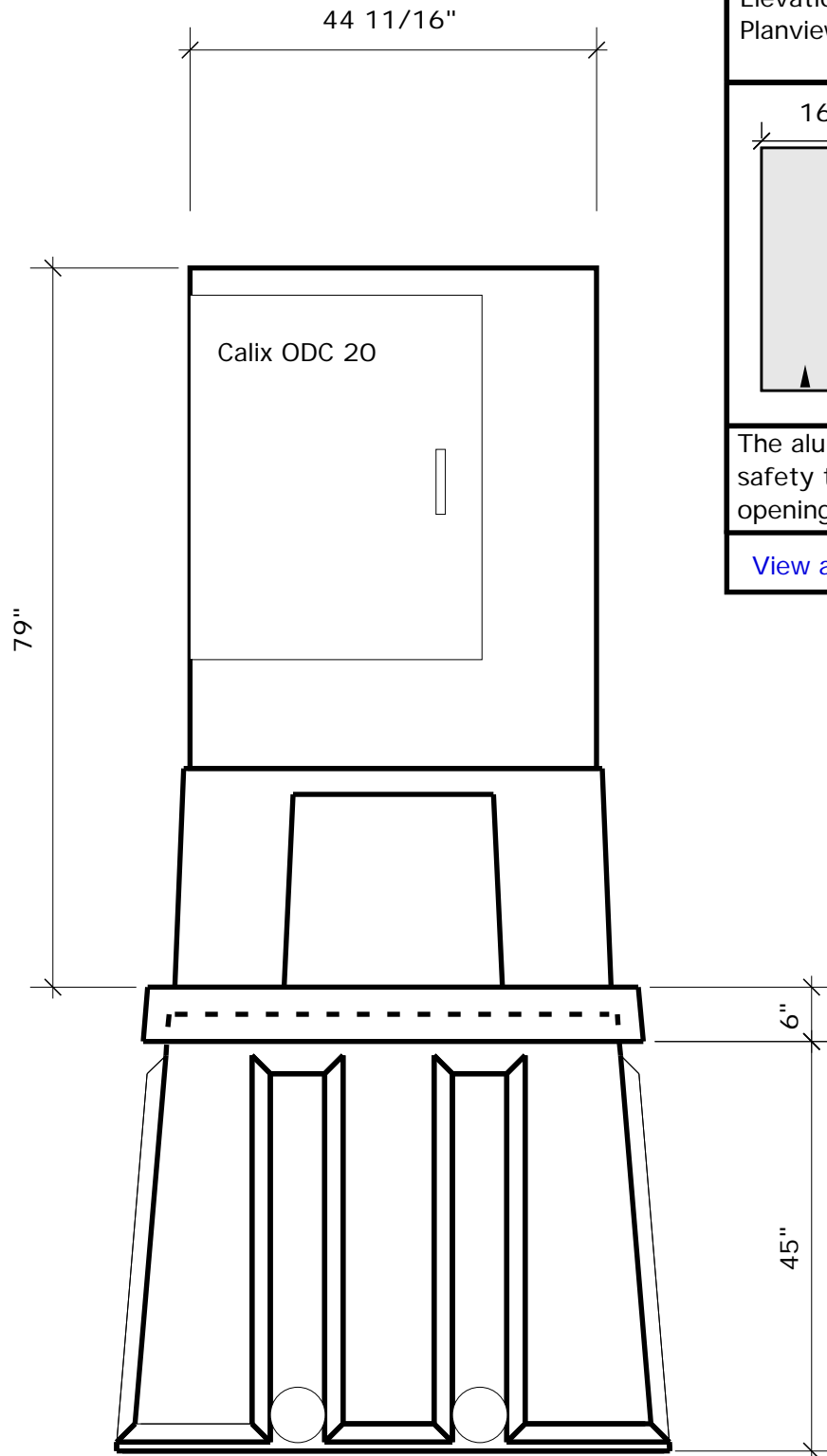


Tunnel Mill Polymer, Inc.	Action	By	Date
	Drawn	SD	5/8/02
	Checked	SD	5/8/02
	Revised		
Calix ODC 20 on B547806-24 / U487248 Elevations and Planview	Revised		
	Revised		
	Revised		
	Drawing Number		Revision
DBDCBA		A	
<p>The aluminum access panel, with safety tread plate, covers an opening as shown.</p>			
View a .dwg file		Return to Catalog	





Tunnel Mill Polymer, Inc.	Action	By	Date
	Drawn	SD	5/8/02
	Checked	SD	5/8/02
	Revised		
Calix ODC 20 on B547806-24 / U487248 Elevations and Planview	Revised		
	Revised		
	Revised		
	Revised		
Drawing Number		Revision	
DBDCBA		A	
The aluminum access panel, with safety tread plate, covers an opening as shown.			
View a .dwg file		Return to Catalog	



Tunnel Mill Polymer, Inc.	Action	By	Date
	Drawn	SD	5/8/02
	Checked	SD	5/8/02
	Revised		
Calix ODC 20 on B547806-24 / U487248 Elevations and Planview	Revised		
	Revised		
	Revised		
	Revised		
Drawing Number		Revision	
DBDCBA		A	
<p>16"</p> <p>32"</p>		<p>14 1/2"</p> <p>29"</p>	
The aluminum access panel, with safety tread plate, covers an opening as shown.			
View a .dwg file		Return to Catalog	