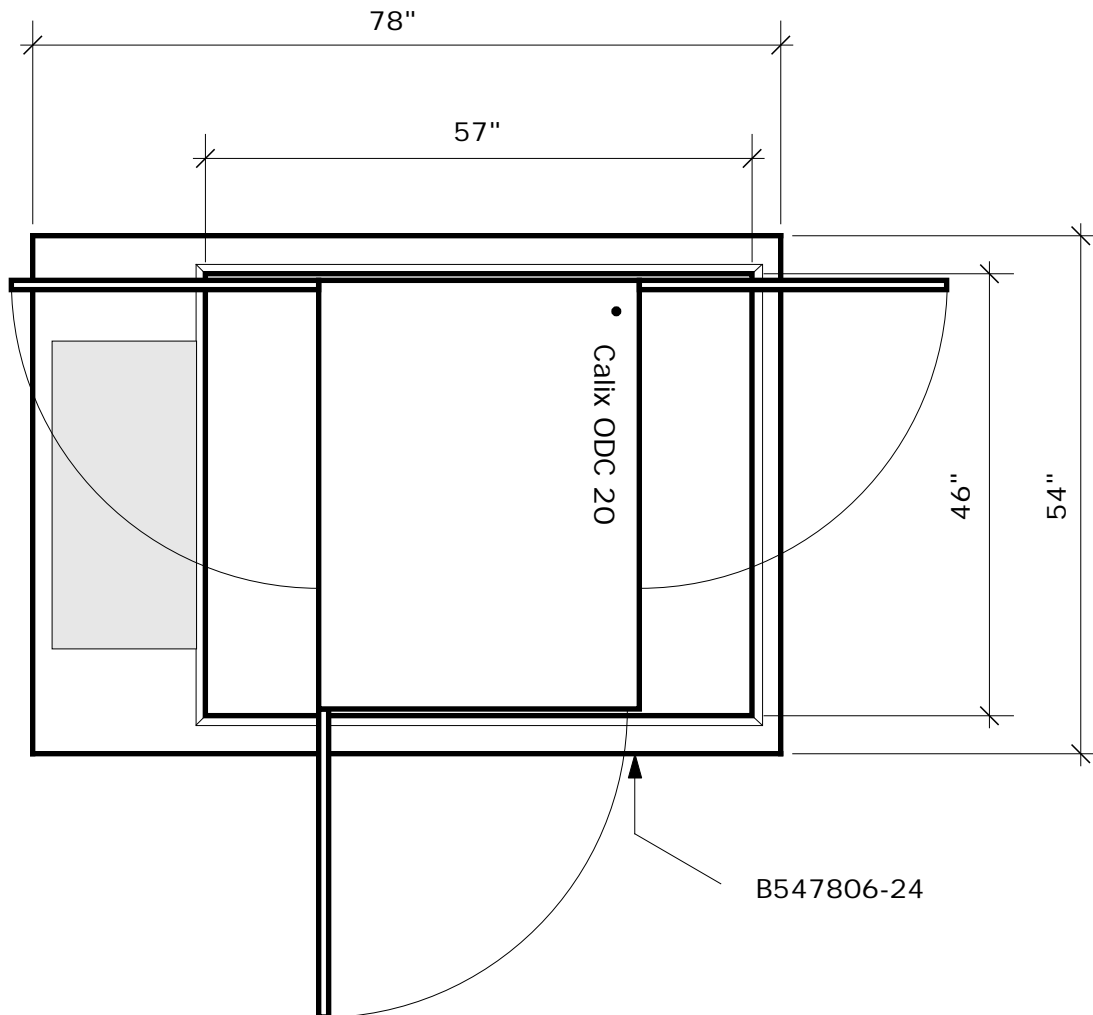
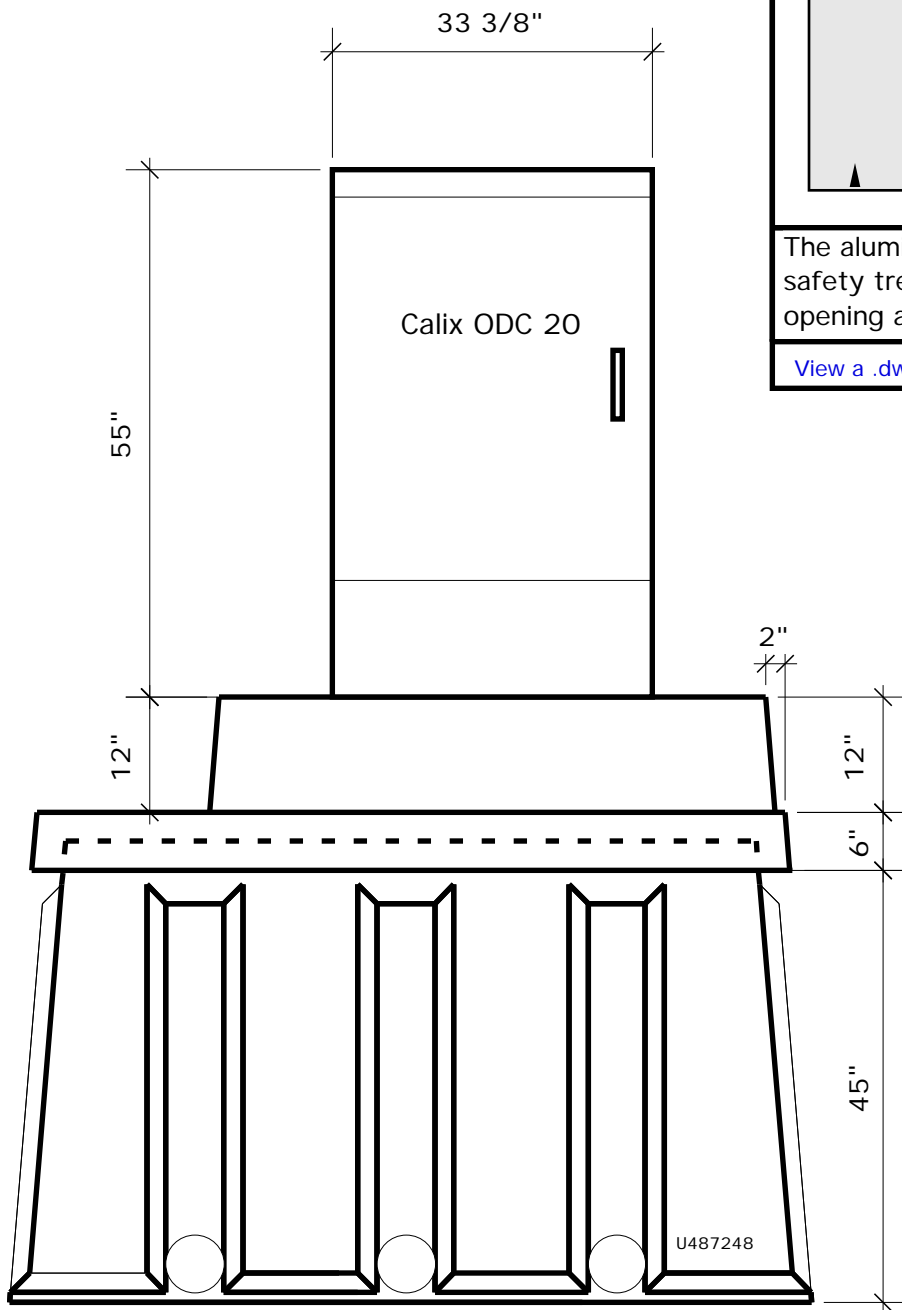
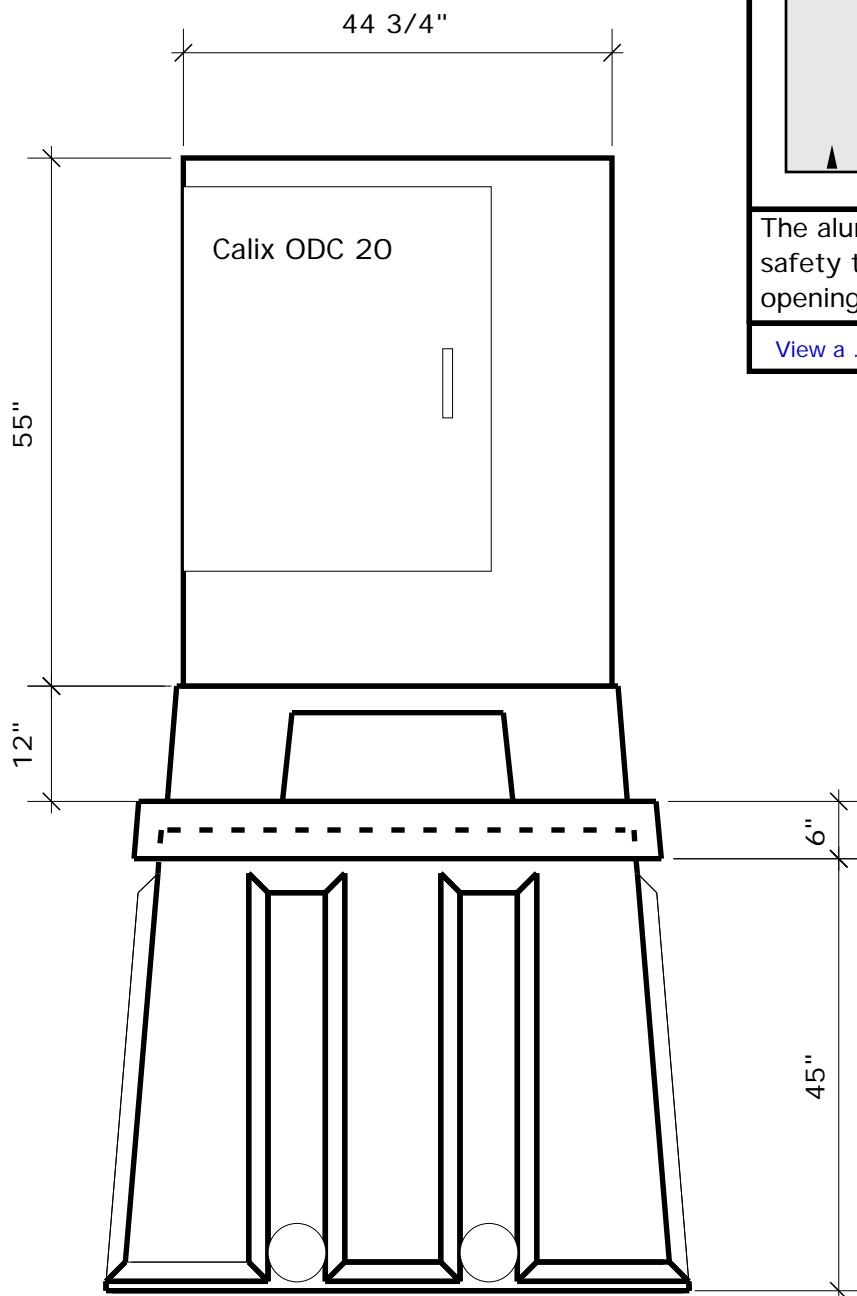


Tunnel Mill Polymer, Inc.	Action	By	Date
	Drawn	SD	4/25/03
	Checked	SD	4/25/03
	Revised		
Calix ODC 20 on B547806-12 / U487248 Elevations and Planview	Revised		
	Revised		
	Revised		
	Drawing Number		Revision
DBDDCA		A	
The aluminum access panel, with safety tread plate, covers an opening as shown.			
View a .dwg file		Return to Catalog	





Tunnel Mill Polymer, Inc.	Action	By	Date
	Drawn	SD	4/25/03
	Checked	SD	4/25/03
	Revised		
Calix ODC 20 on B547806-12 / U487248 Elevations and Planview	Revised		
	Revised		
	Revised		
	Drawing Number		Revision
	DBDDCA	A	
The aluminum access panel, with safety tread plate, covers an opening as shown.			
View a .dwg file		Return to Catalog	



Tunnel Mill Polymer, Inc.	Action	By	Date
	Drawn	SD	4/25/03
	Checked	SD	4/25/03
	Revised		
Calix ODC 20 B547806-12/ U487248 Elevations and Planview	Revised		
	Revised		
	Revised		
	Revised		
Drawing Number		Revision	
DBDDCA		A	
The aluminum access panel, with safety tread plate, covers an opening as shown.			
View a .dwg file		Return to Catalog	