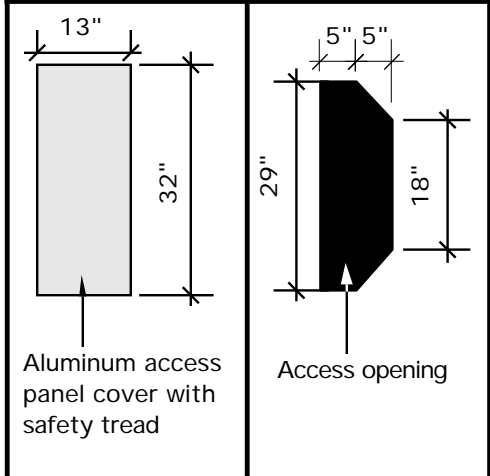


<b>Tunnel Mill Polymer, Inc.</b>		
Action	By	Date
Drawn	BD	12/4/98
Checked	SD	12/7/98
Revised	SD	9/7/01
Revised		
Revised		
Drawing Number		Revision
DBBEAB		A

A digital version of this drawing can be downloaded on the web @ [www.tunnelmill.com](http://www.tunnelmill.com)



The aluminum access panel, with safety tread plate, covers an opening as shown.

[View .dwg file](#)      [Return to Catalog](#)

