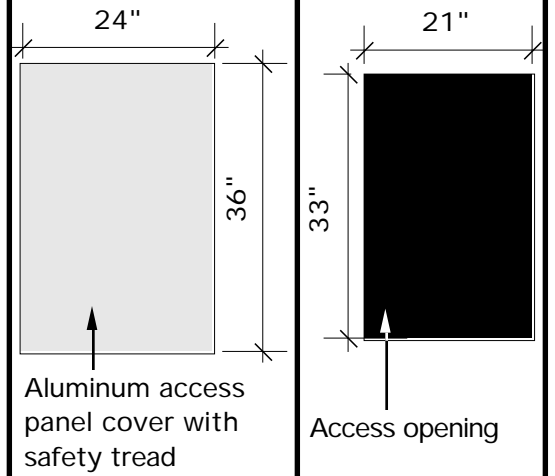


Tunnel Mill Polymer, Inc.		
Action	By	Date
Drawn	SD	3/01/02
Checked	SD	3/01/02
Revised		
Revised		
Revised		
Drawing Number		Revision
DBDEBA		A

A digital version of this drawing can be downloaded on the web @ www.tunnelmill.com



The aluminum access panel, with safety tread plate, covers an opening as shown.

[View a DWG file.](#) [Back to main catalog.](#)

