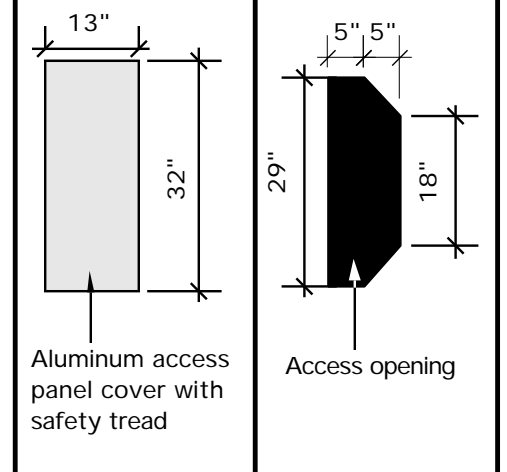


Tunnel Mill Polymer, Inc.		Action	By	Date
		Drawn	BD	12/4/98
Calix ODC 40 @ 90 Mounted on B366606-00 on U304824		Checked	SD	12/7/98
		Revised	SD	9/7/01
		Revised		
		Revised		
		Revised		
Drawing Number			Revision	
DBDFAA			A	

A digital version of this drawing can be downloaded on the web @ www.tunnelmill.com



The aluminum access panel, with safety tread plate, covers an opening as shown.

[View .dwg file](#) [Return to Catalog](#)

