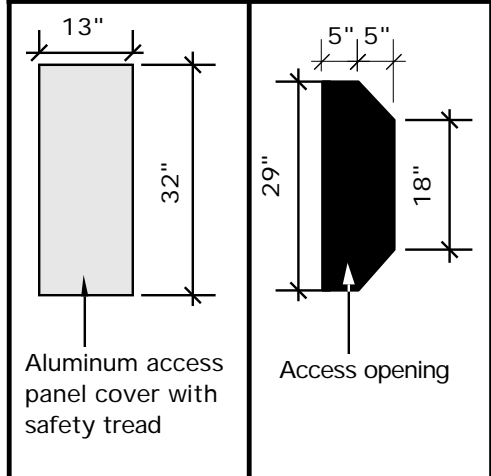


Tunnel Mill Polymer, Inc.		
Action	By	Date
Drawn	BD	12/4/98
Checked	SD	12/7/98
Revised	SD	9/7/01
Revised		
Revised		
Drawing Number		Revision
DBBFAB		A

A digital version of this drawing can be downloaded on the web @ www.tunnelmill.com



The aluminum access panel, with safety tread plate, covers an opening as shown.

[View .dwg file](#) [Return to Catalog](#)

