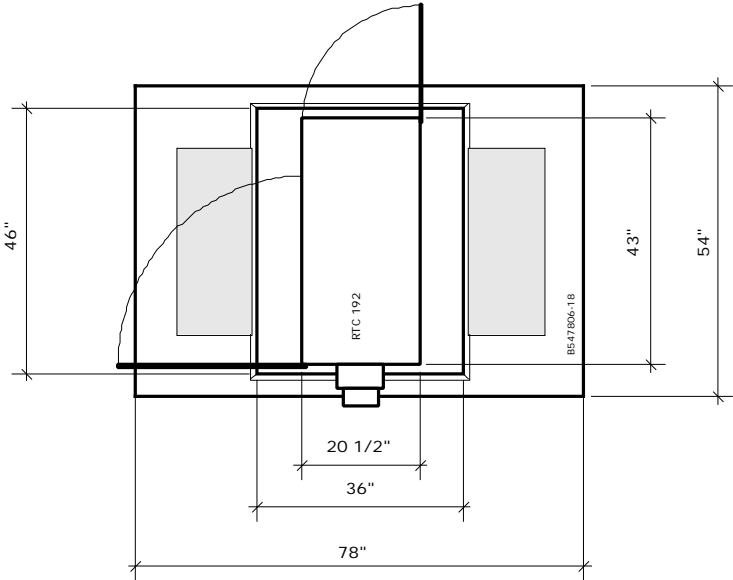


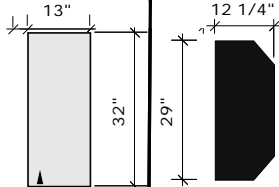
Tunnel Mill Polymer, Inc.	Action	By	Date
	Drawn	SD	10/16/03
	Checked	SD	5/8/02
	Revised		
	Revised		
OCCAM 192BP on B547806-24 U487248 Planview and Elevations	Revised		
	Revised		
	Revised		
Drawing Number		Revision	
DBDADA		A	
The aluminum access panel, with safety tread plate, covers an opening as shown.			
View a .dwg file		Return to Catalog	



**Tunnel Mill
Polymer, Inc.**

OCCAM 192BP on
B547806-24
U487248 Planview
and Elevations

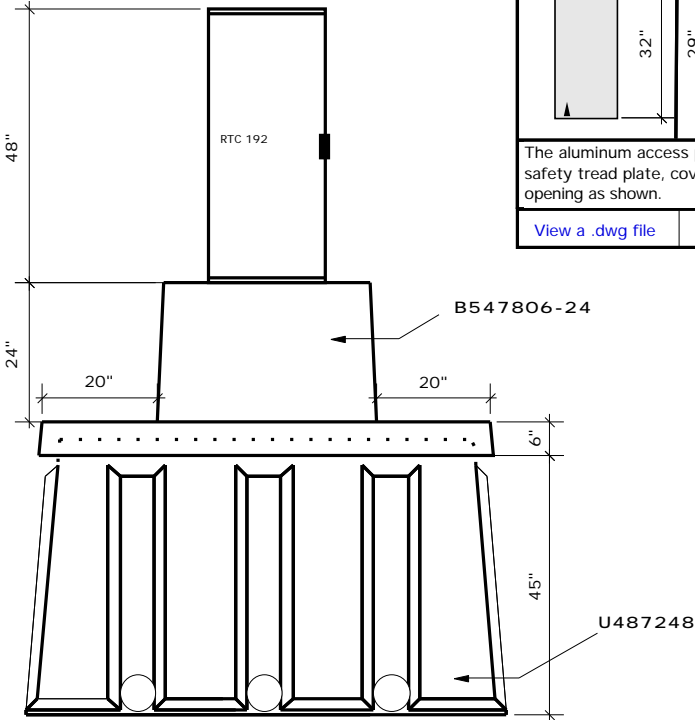
Action	By	Date
Drawn	SD	10/16/03
Checked	SD	5/8/02
Revised		
Revised		
Revised		
Drawing Number		Revision
DBDADA		A



The aluminum access panel, with safety tread plate, covers an opening as shown.

[View a .dwg file](#)

[Return to Catalog](#)

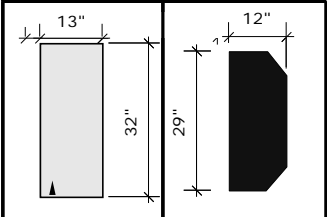


Polymer, Inc.

Drawn	SD	10/16/03
Checked	SD	5/8/02
Revised		
Revised		
Revised		

OCCAM 192BP on
B547806-24
U487248 Planview
and Elevations

Drawing Number	Revision
DBDADA	A



The aluminum access panel, with safety tread plate, covers an opening as shown.

[View a .dwg file](#) [Return to Catalog](#)

