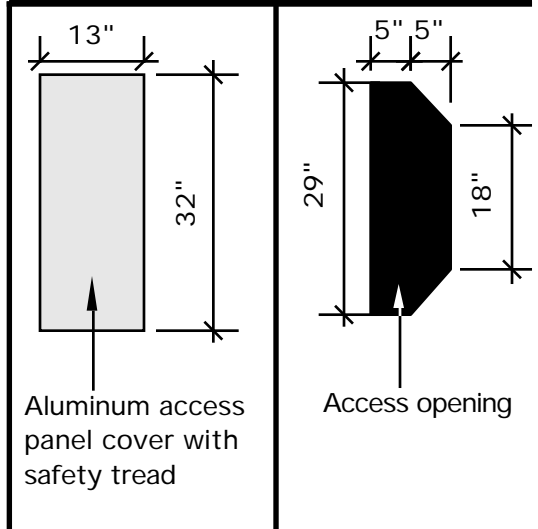


Tunnel Mill Polymer, Inc.	Action	By	Date
	Drawn	BD	10/9/03
	Checked	SD	
	Revised	DO	
	Revised		
OCAM 192B Mounted on B366606-00 / U306030 Elevation - Planview	Drawing Number	Revision	
	B3654- special	A	

A digital version of this drawing can be downloaded on the web @ www.tunnelmill.com



The aluminum access panel, with safety tread plate, covers an opening as shown.

