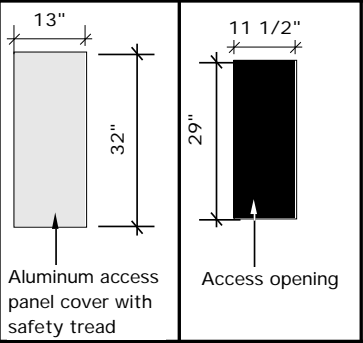


**Tunnel Mill  
Polymer, Inc.**

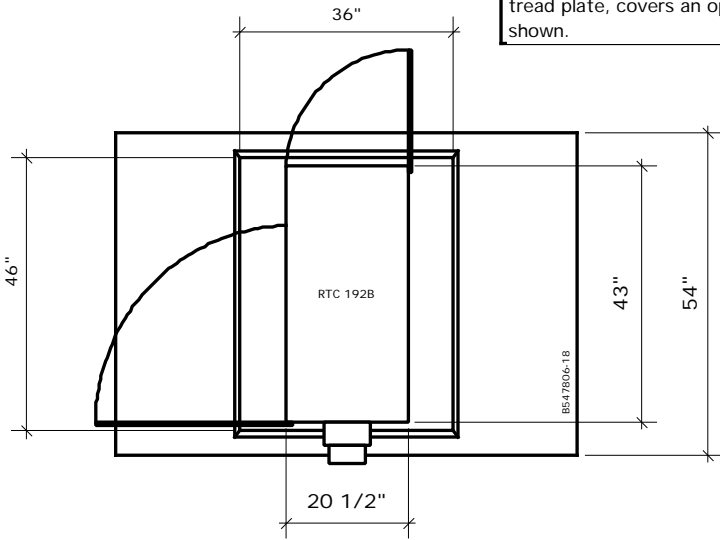
Action	By	Date
Drawn	BD	10/9/03
Checked	SD	12/7/98
Revised	DO	1/5/01
Revised		
Revised		
Drawing Number		Revision
		A

OCCAM 192E  
Mounted on  
B547806-24 /  
U487248  
Planview

A digital version of this drawing can be downloaded on  
the web @ [www.tunnelmill.com](http://www.tunnelmill.com)



The aluminum access panel, with safety tread plate, covers an opening as shown.



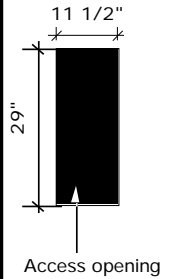
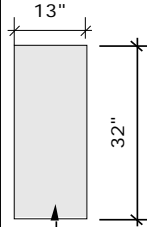
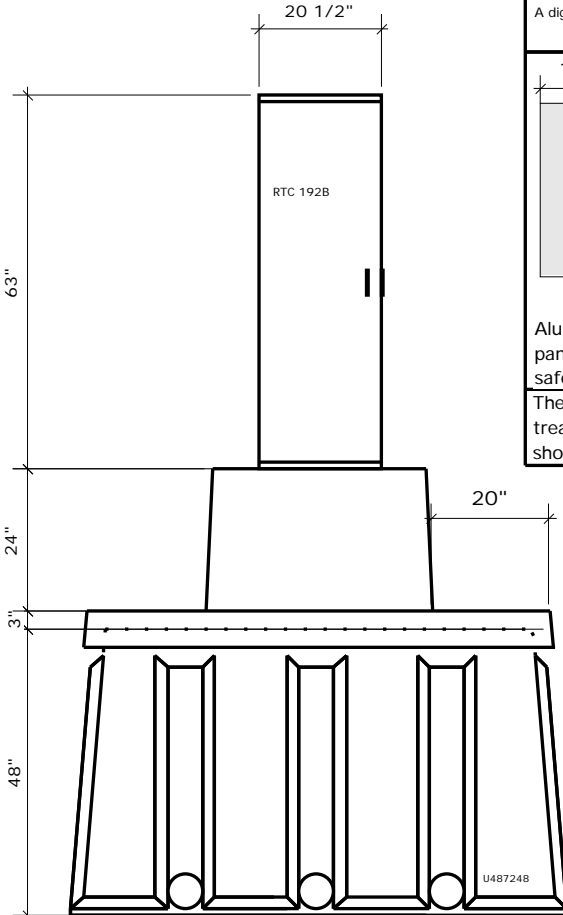
**Tunnel Mill  
Polymer, Inc.**

Action	By	Date
Drawn	BD	10/9/03
Checked	SD	12/7/98
Revised	DO	1/5/01
Revised		
Revised		

OCCAM  
192EMounted on  
B547806-24 /  
U487248  
Planview

Drawing Number	Revision
	A

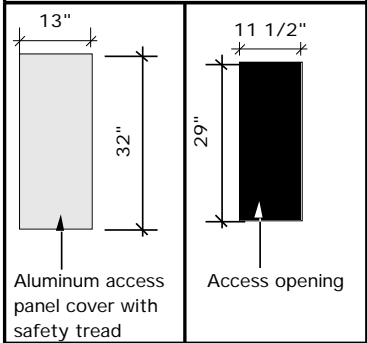
A digital version of this drawing can be downloaded on the web @ [www.tunnelmill.com](http://www.tunnelmill.com)



The aluminum access panel, with safety tread plate, covers an opening as shown.

<b>Tunnel Mill Polymer, Inc.</b>	Action	By	Date
	Drawn	BD	10/9/03
OCCAQM 192E Mounted on B547806-24 / U487248 Planview	Checked	SD	12/7/98
	Revised	DO	1/5/01
	Revised		
	Revised		
	Revised		
Drawing Number		Revision	
		A	

A digital version of this drawing can be downloaded on the web @ [www.tunnelmill.com](http://www.tunnelmill.com)



The aluminum access panel, with safety tread plate, covers an opening as shown.

