

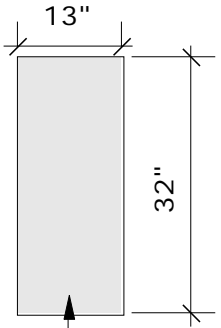
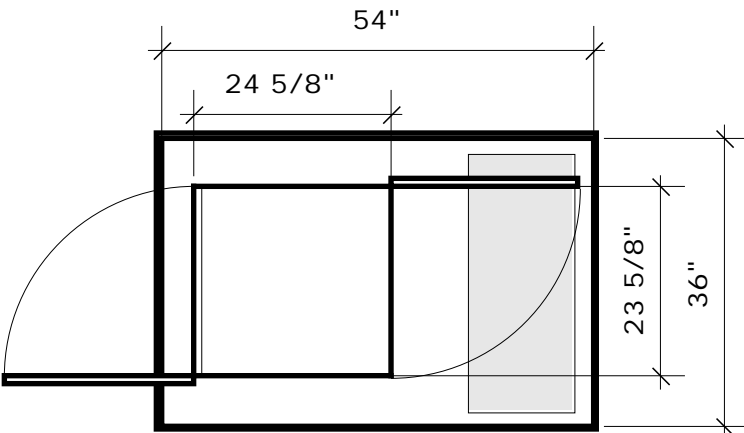
**Tunnel Mill  
Polymer, Inc.**

Action	By	Date
Drawn	BD	10/3/03
Checked	SD	
Revised	DO	
Revised		
Revised		

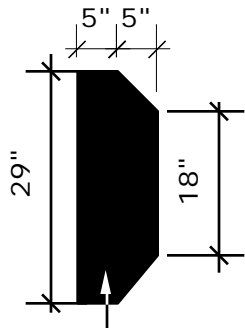
OCCAM 48  
Mounted on  
B365406-00  
/ U304836  
Elevations -  
Planview

Drawing Number	Revision
DBEFAB	A

A digital version of this drawing can be downloaded on the web @ [www.tunnelmill.com](http://www.tunnelmill.com)

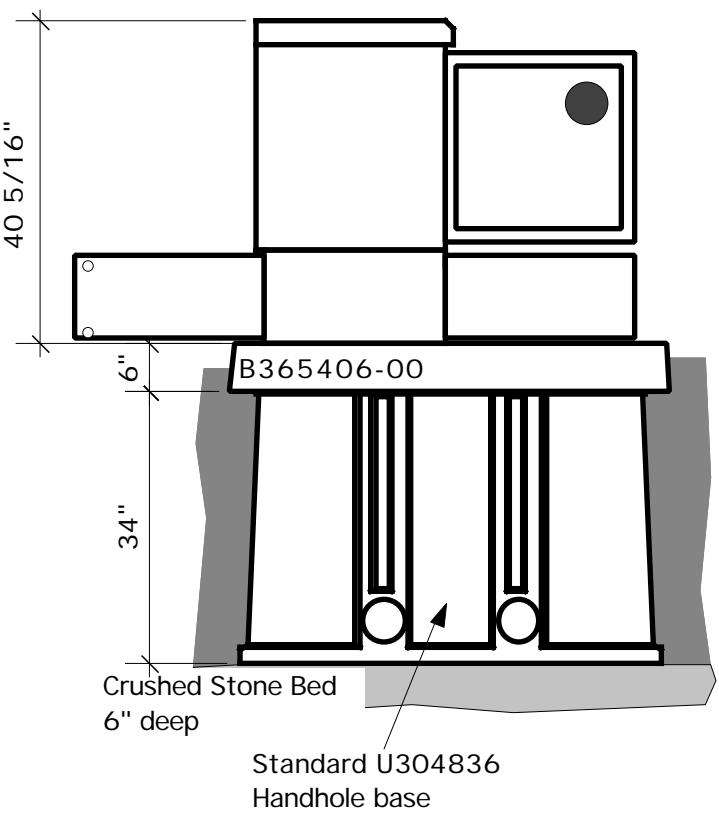


Aluminum access panel cover with safety tread



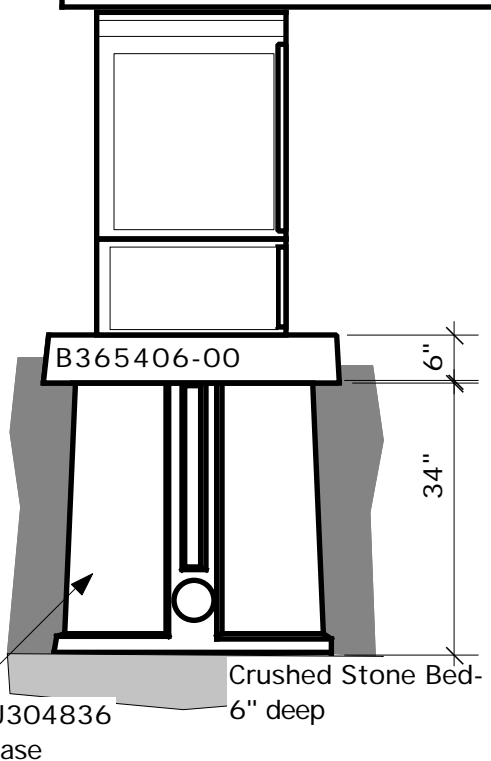
Access opening

The aluminum access panel, with safety tread plate, covers an opening as shown.



Crushed Stone Bed  
6" deep

Standard U304836  
Handhole base



Standard U304836  
Handhole base

Crushed Stone Bed-  
6" deep