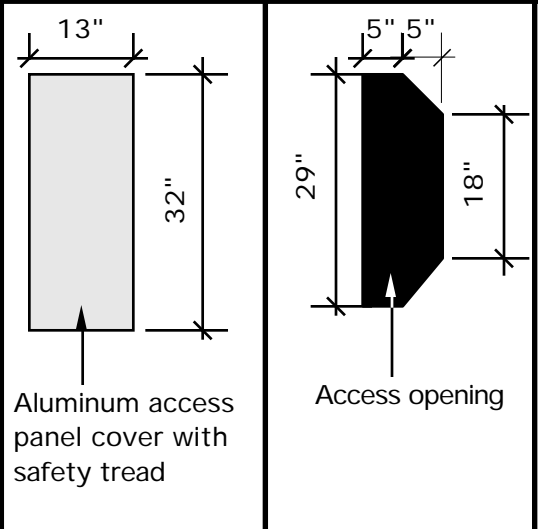


**Tunnel Mill  
Polymer, Inc.**

Action	By	Date
Drawn	BD	12/4/98
Checked	BD	10/3/03
Revised	DO	
Revised		
Revised		
Drawing Number		Revision
DBEFBA		A

OCCAM 48  
Mounted on  
B365406-12  
/ U304824  
Elevations -  
Planview

A digital version of this drawing can be downloaded on  
the web @ [www.tunnelmill.com](http://www.tunnelmill.com)



Aluminum access panel cover with safety tread

Access opening

The aluminum access panel, with safety tread plate, covers an opening as shown.

