

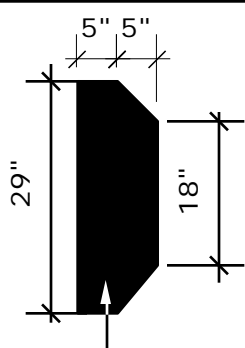
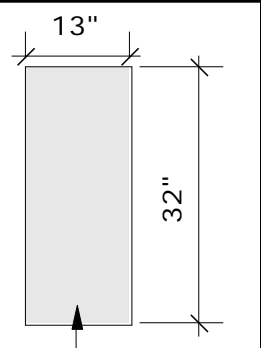
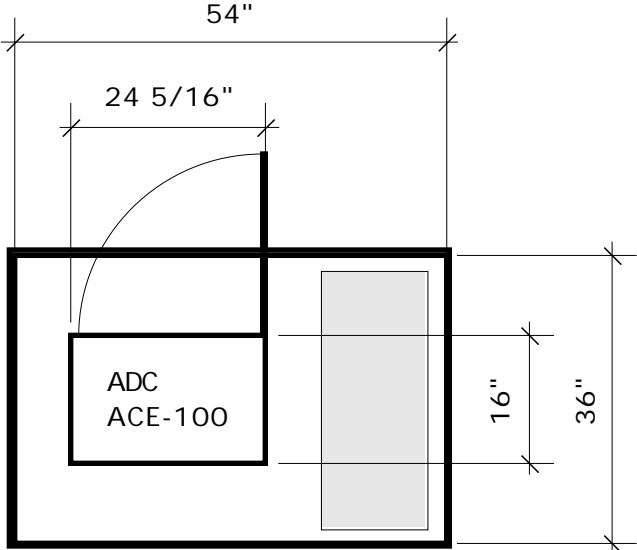
**Tunnel Mill
Polymer, Inc.**

Action	By	Date
Drawn	BD	12/2/04
Checked	SD	
Revised	DO	
Revised		
Revised		

**ADC ACE-100
Mounted on
B365406-00
/ U304836
Elevations -
Planview**

Drawing Number	Revision
PRELIM	A

A digital version of this drawing can be downloaded on the web @ www.tunnelmill.com



Aluminum access panel cover with safety tread

Access opening

The aluminum access panel, with safety tread plate, covers an opening as shown.

