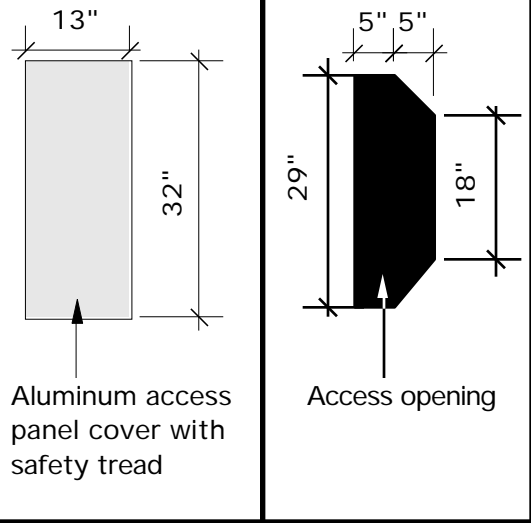
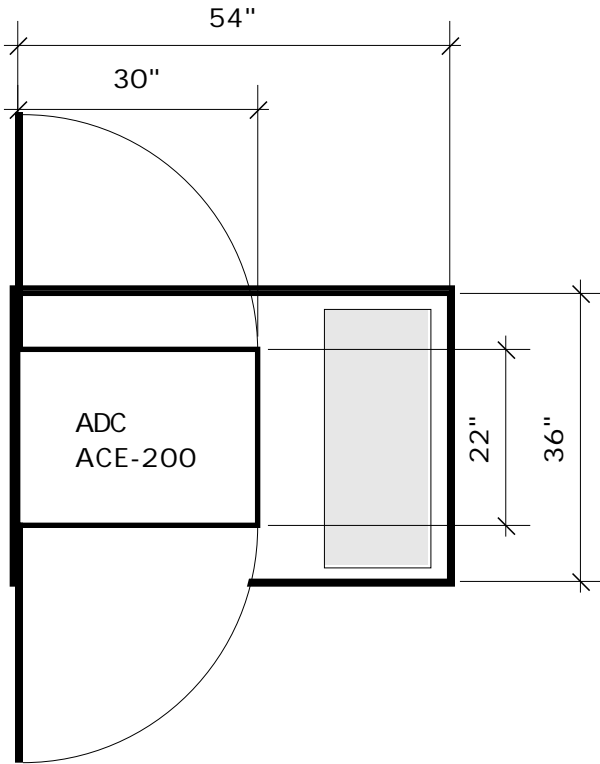


**Tunnel Mill  
Polymer, Inc.**

Action	By	Date
Drawn	BD	12/6/04
Checked	SD	
Revised	DO	
Revised		
Revised		
Drawing Number		Revision
PRELIM		A

**ADC ACE-200  
Mounted on  
B365406-00  
/ U304836  
Elevations -  
Planview**

A digital version of this drawing can be downloaded on the web @ [www.tunnelmill.com](http://www.tunnelmill.com)



The aluminum access panel, with safety tread plate, covers an opening as shown.

