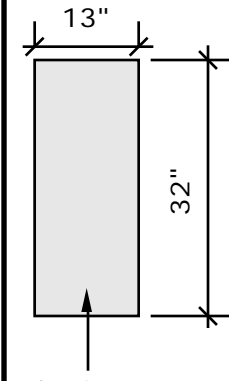
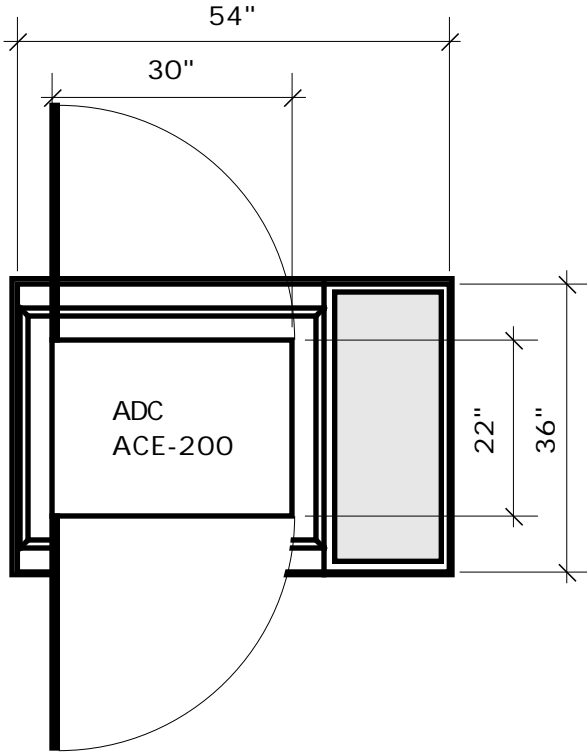


**Tunnel Mill
Polymer, Inc.**

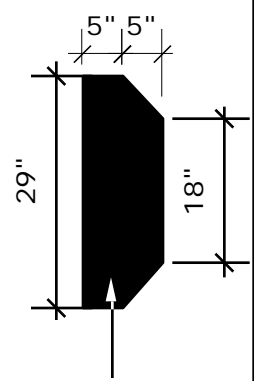
| Action | By | Date |
|----------------|----|----------|
| Drawn | BD | 12/6/04 |
| Checked | SD | |
| Revised | DO | |
| Revised | | |
| Revised | | |
| Drawing Number | | Revision |
| PRELIM | | A |

ADC ACE-200
Mounted on
B365406-12
/ U304836
Elevations -
Planview

A digital version of this drawing can be downloaded on
the web @ www.tunnelmill.com

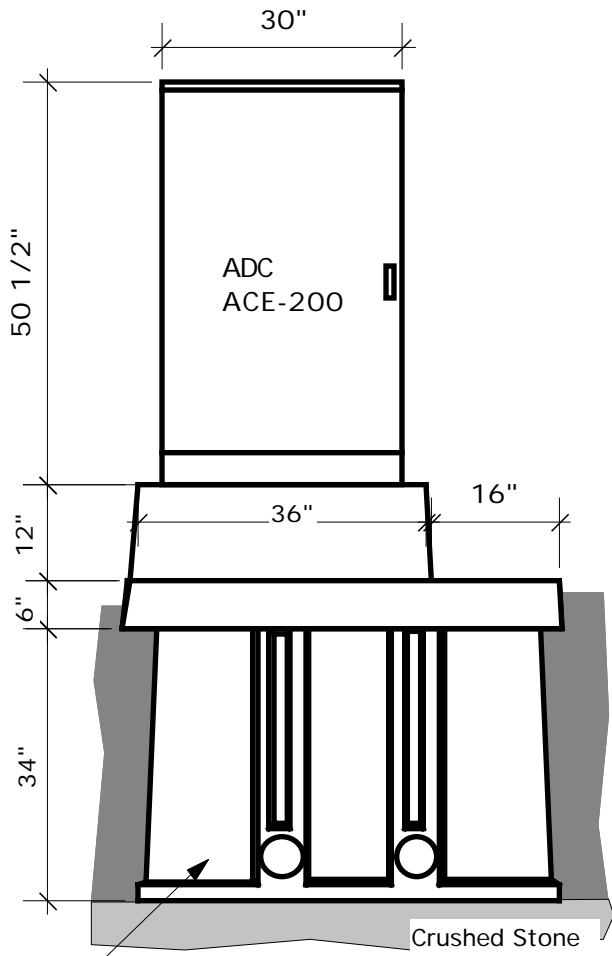


Aluminum access panel cover with safety tread



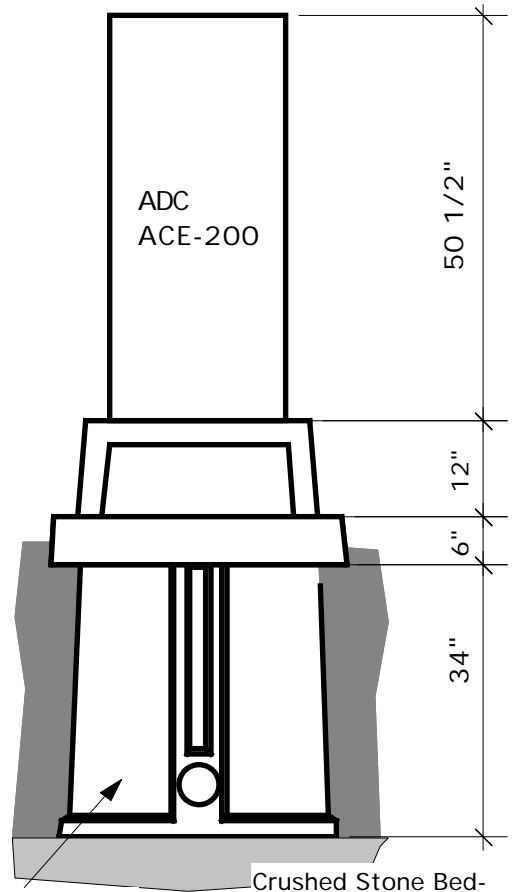
Access opening

The aluminum access panel, with safety tread plate, covers an opening as shown.



Standard U304836
Handhole base

Crushed Stone
Bed 6" deep



Standard U304836
Handhole base

Crushed Stone Bed-
6" deep