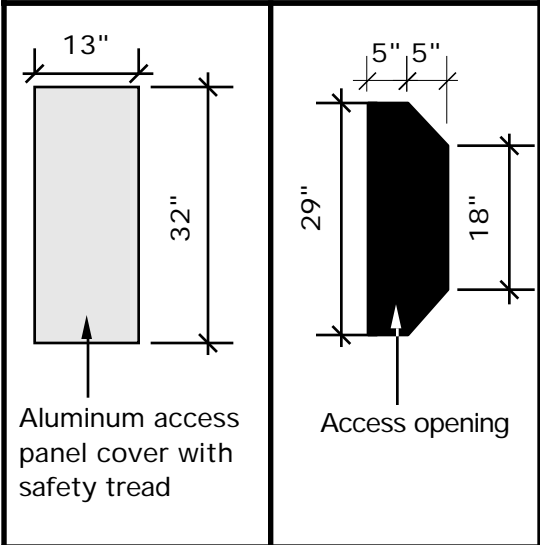
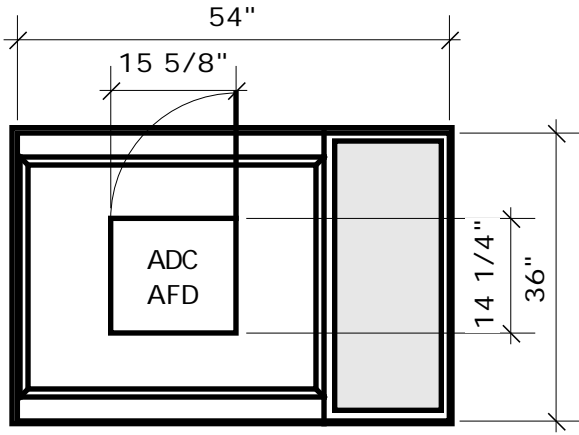


Tunnel Mill Polymer, Inc.		
Action	By	Date
Drawn	BD	12/2/04
Checked	SD	
Revised	DO	
Revised		
Revised		
Drawing Number		Revision
PRELIM		A

ADC AFD
Mounted on
B365406-12
/ U304836
Elevations -
Planview

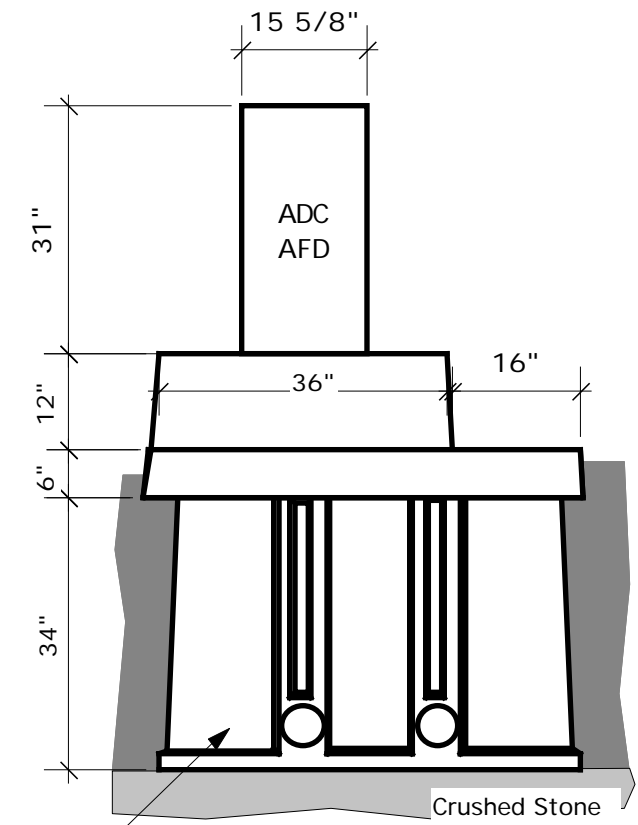
A digital version of this drawing can be downloaded on
the web @ www.tunnelmill.com



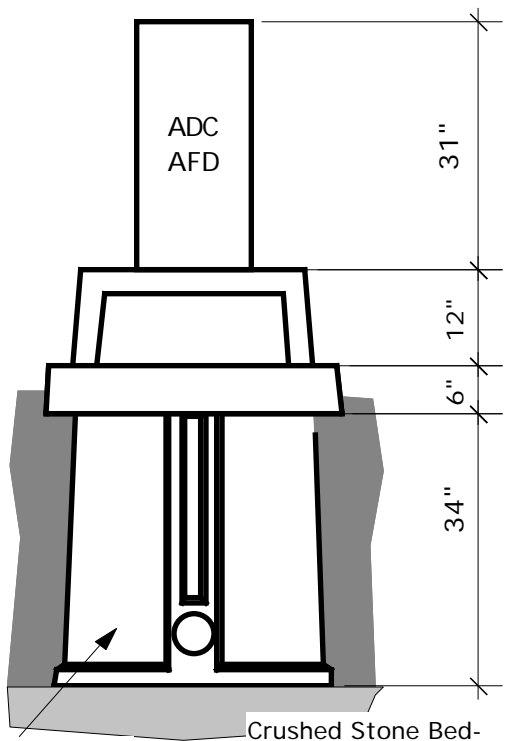
Aluminum access
panel cover with
safety tread

Access opening

The aluminum access panel, with safety
tread plate, covers an opening as
shown.



Standard U304836
Handhole base



Standard U304836
Handhole base

Crushed Stone Bed-
6" deep