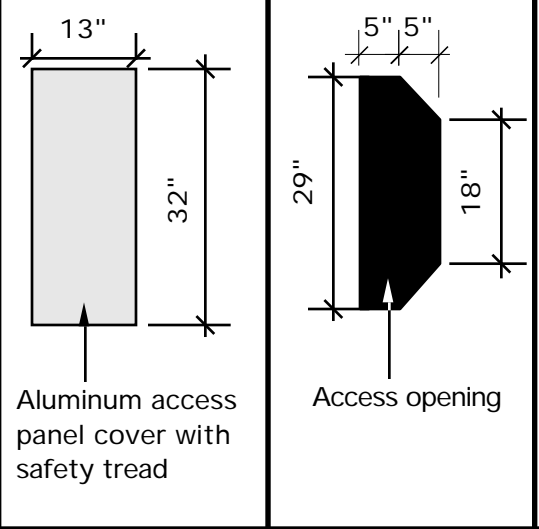


Tunnel Mill Polymer, Inc.	Action	By	Date
	Drawn	BD	12/2/04
	Checked	SD	
	Revised	DO	
	Revised		
ADC AFD Mounted on B365406-24 / U304824 Elevation - Planview	Drawing Number	Revision	
	PRELIM	A	

A digital version of this drawing can be downloaded on the web @ www.tunnelmill.com



The aluminum access panel, with safety tread plate, covers an opening as shown.

