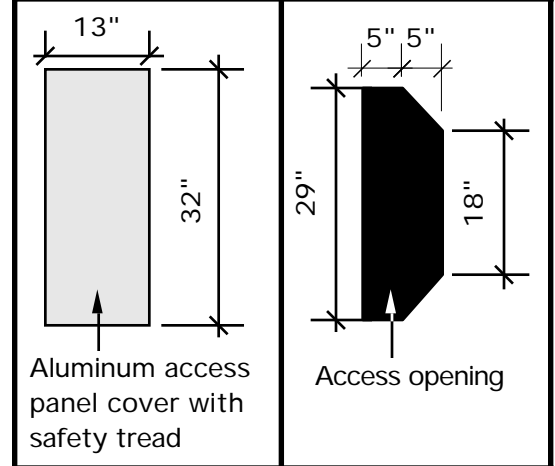


Tunnel Mill Polymer, Inc.		
Action	By	Date
Drawn	BD	10/13/04
Checked	SD	10/13/04
Revised	DO	
Revised		
Revised		
Drawing Number		Revision
		A

A digital version of this drawing can be downloaded on the web @ www.tunnelmill.com



The aluminum access panel, with safety tread plate, covers an opening as shown.

