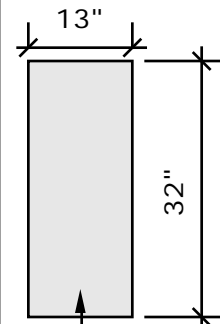
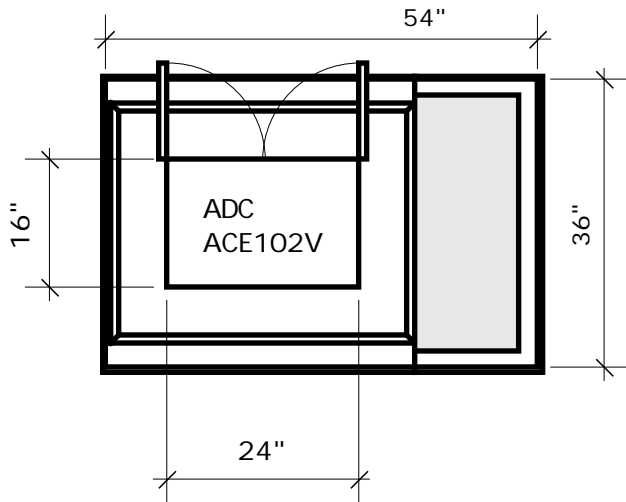
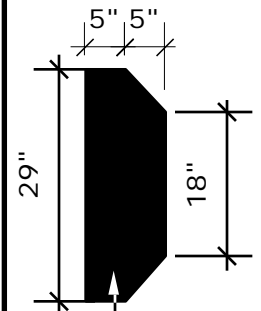


Tunnel Mill Polymer, Inc.	Action	By	Date
	Drawn	BD	10/13/04
	Checked	SD	10/13/04
	Revised	DO	10/13/04
	Revised		
ADC ACE102V on B365406-24 on U304836 Elevation - Planview	Drawing Number	Revision	
		A	

A digital version of this drawing can be downloaded on the web @ www.tunnelmill.com



Aluminum access panel cover with safety tread



Access opening

The aluminum access panel, with safety tread plate, covers an opening as shown.

