

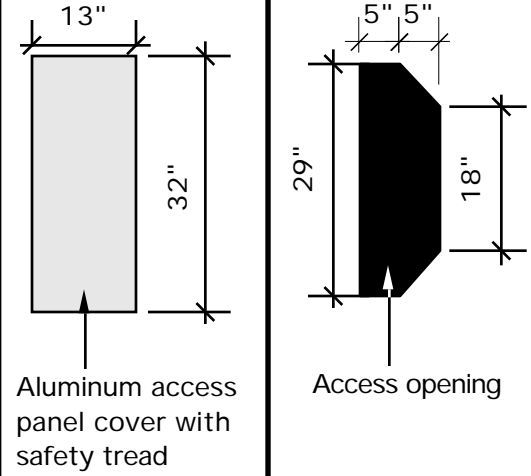
**Tunnel Mill
Polymer, Inc.**

Action	By	Date
Drawn	BD	12/6/04
Checked	SD	
Revised	DO	
Revised		
Revised		

**ADC ACE132V
Mounted on
B365406-24
/ U304824
Elevation -
Planview**

Drawing Number	Revision
PRELIM	A

A digital version of this drawing can be downloaded on the web @ www.tunnelmill.com



The aluminum access panel, with safety tread plate, covers an opening as shown.

