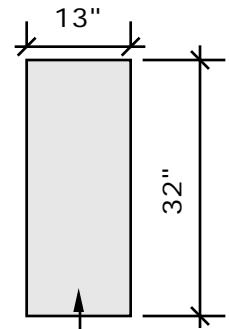
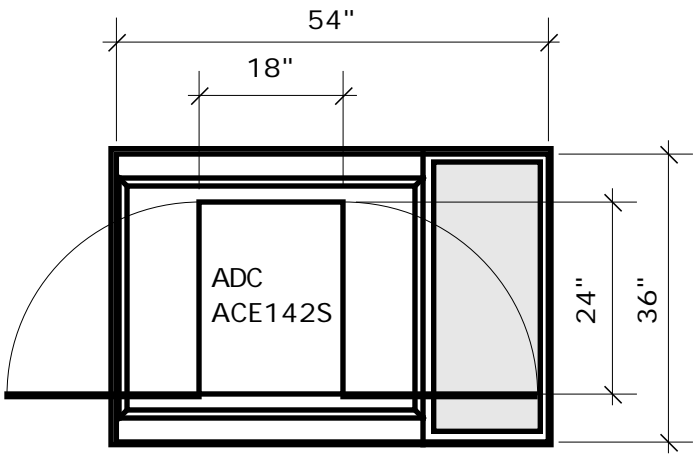


**Tunnel Mill  
Polymer, Inc.**

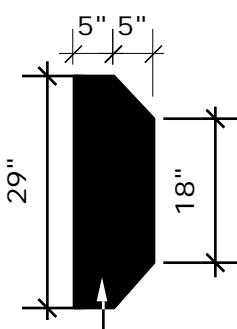
Action	By	Date
Drawn	BD	12/7/04
Checked	SD	
Revised	DO	
Revised		
Revised		
Drawing Number		Revision
PRELIM		A

ADC ACE142S  
Mounted on  
B365406-12  
/ U304836  
Elevations -  
Planview

A digital version of this drawing can be downloaded on  
the web @ [www.tunnelmill.com](http://www.tunnelmill.com)

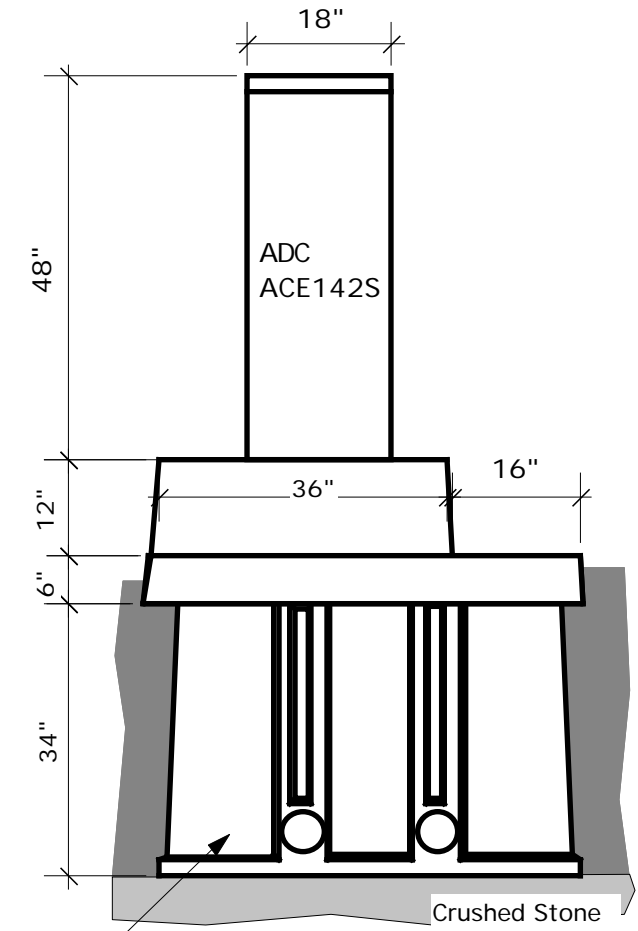


Aluminum access panel cover with safety tread



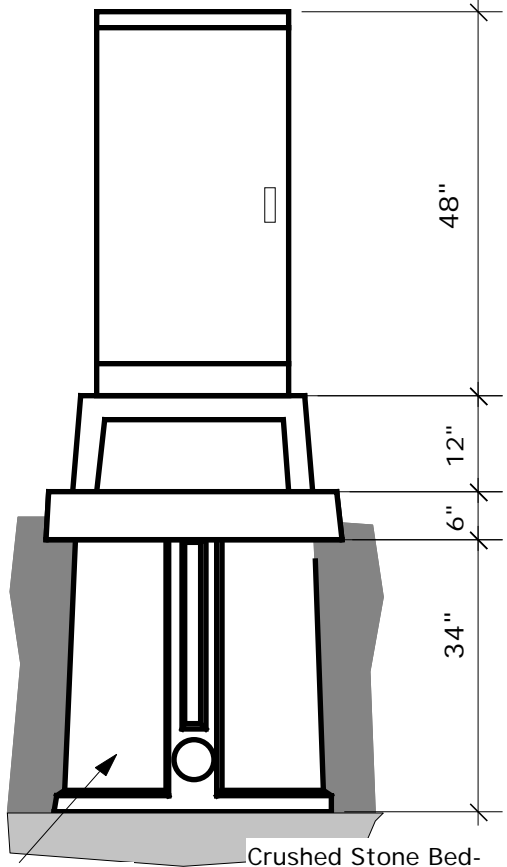
Access opening

The aluminum access panel, with safety tread plate, covers an opening as shown.



Standard U304836 Handhole base

Crushed Stone Bed 6" deep



Standard U304836 Handhole base

Crushed Stone Bed- 6" deep