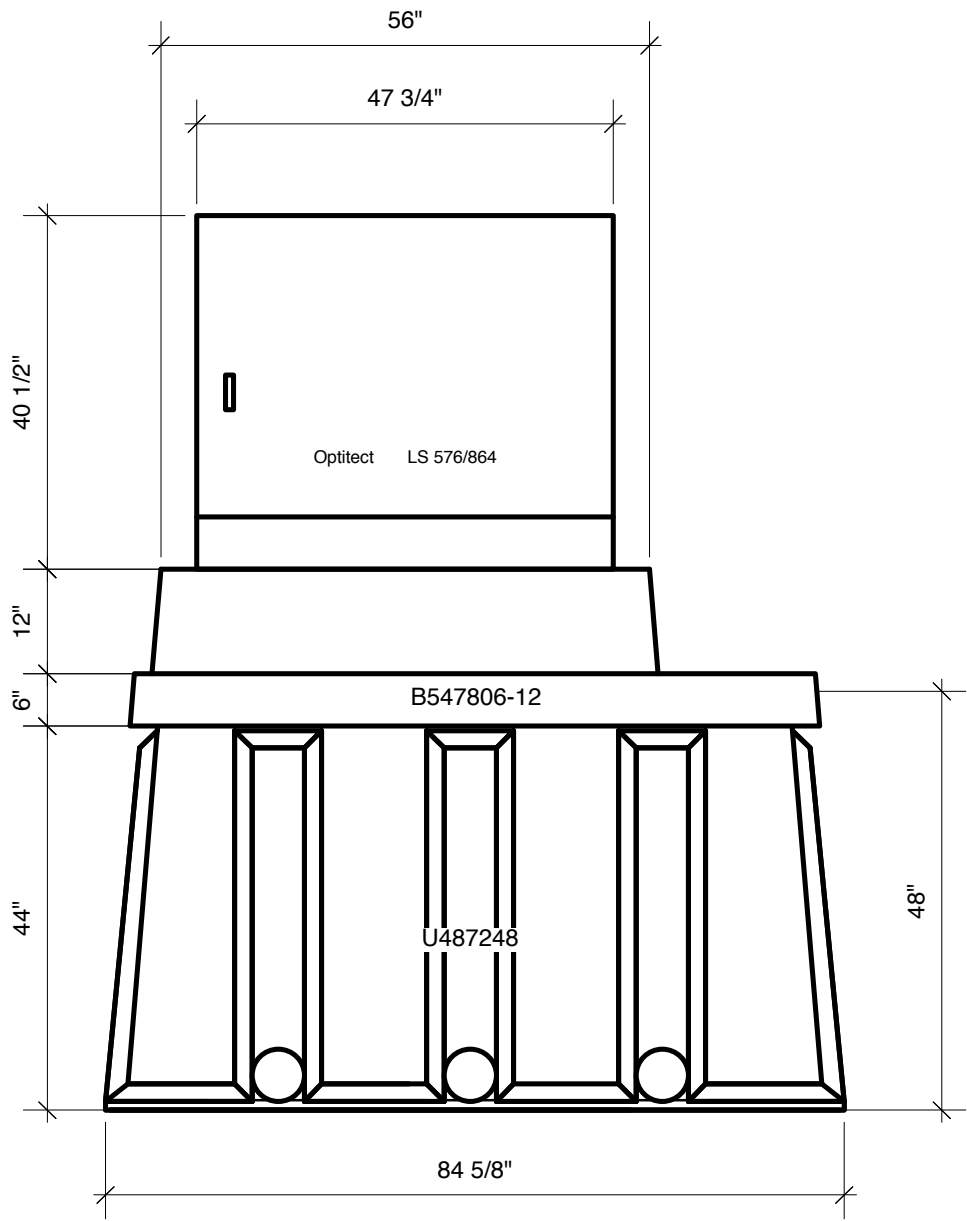
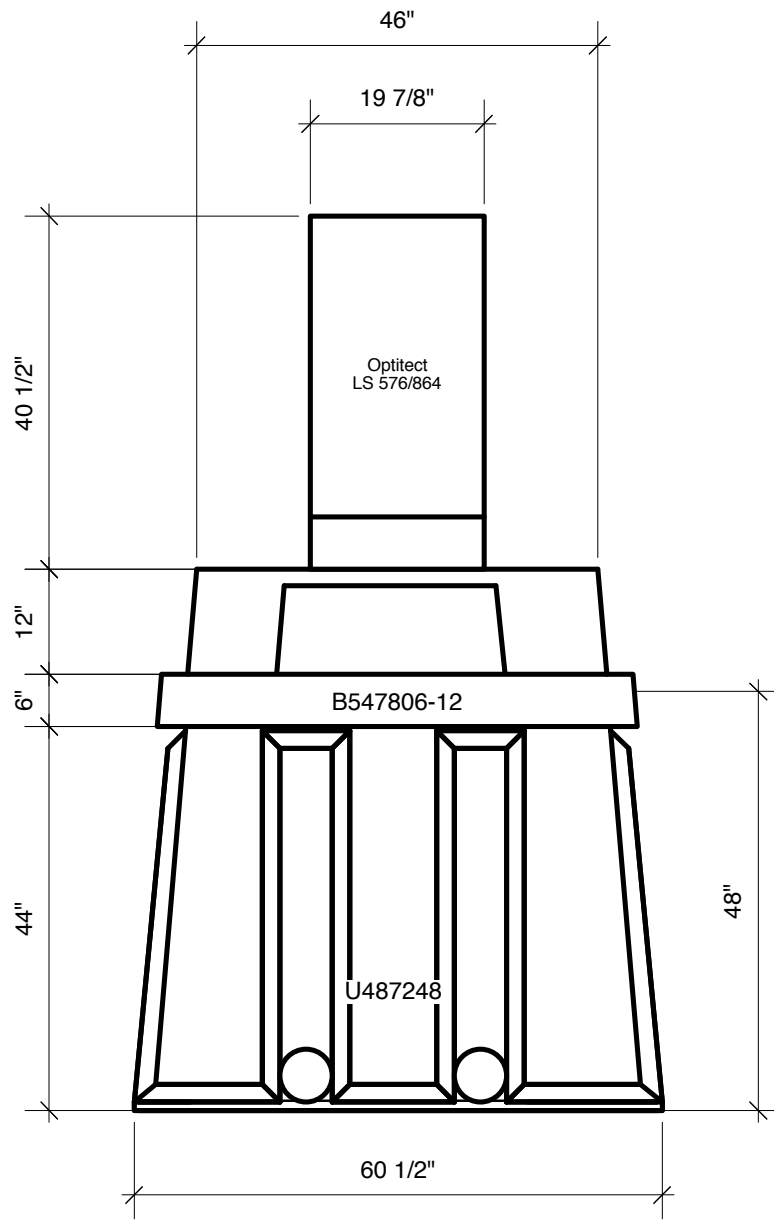


Drawing	U.03.M.G.2.117.A	MFG	Corning
Drawn By	Marcela Hoverste	Cabinet	OptiTect LS 576/864
Date	03/18/10	Foundation	B547806-12
Checked By	Brian Day	Vault	U487248
Date	00/00/00	Please check tunnelmill.com for the latest version of this drawing and for downloads in other drawing formats.	
Revision	A	103 Main St. Po Box 23 Alden, IA 50006 Phone: 515.859.7629 Fax: 515.859.7706 Email: Sales@tunnelmill.com Website: Tunnelmill.com	
Revision Date	00/00/00		
Page	1 OF 8		

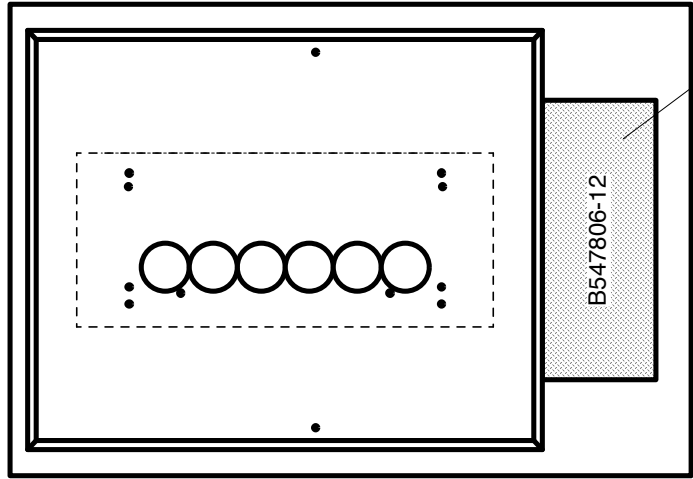
***Tunnel Mill
Polymer, Inc.***



Drawing	MFG	Tunnel Mill Polymer, Inc.
U.03.M.G.2.117.A	Corning	
Drawn By	Cabinet	103 Main St. Po Box 23 Alden, IA 50006 Phone: 515.859.7629 Fax: 515.859.7706 Email: Sales@tunnelmill.com Website: Tunnelmill.com
Marcela Hoverste	OptiText LS 576/864	
Date	Foundation	Please check tunnelmill.com for the latest version of this drawing and for downloads in other drawing formats.
03/18/10	B547806-12	
Checked By	Vault	2 OF 8
Brian Day	U487248	
Date	Revision	
00/00/00	A	
Revision	Revision Date	
A	00/00/00	
Page		
2 OF 8		



Drawing	U.03.M.G.2.117.A	MFG	Corning	<i>Tunnel Mill Polymer, Inc.</i>
Drawn By	Marcela Hoverste	Cabinet	OptiText LS 576/864	
Date	03/18/10	Foundation	B547806-12	103 Main St. Po Box 23 Alden, IA 50006 Phone: 515.859.7629 Fax: 515.859.7706 Email: Sales@tunnelmill.com Website: Tunnelmill.com
Checked By	Brian Day	Vault	U487248	
Date	00/00/00	Please check tunnelmill.com for the latest version of this drawing and for downloads in other drawing formats.		
Revision	A			
Revision Date	00/00/00			
Page	3 OF 8			



13" x 32" HATCH

B547806-12

Drawing	U.03.M.G.2.117.A	MFG	Corning	<i>Tunnel Mill Polymer, Inc.</i> 103 Main St. Po Box 23 Alden, IA 50006 Phone: 515.859.7629 Fax: 515.859.7706 Email: Sales@tunnelmill.com Website: Tunnelmill.com
Drawn By	Marcela Hoverste	Cabinet	OptiTect LS 576/864	
Date	03/18/10	Foundation	B547806-12	
Checked By	Brian Day	Vault	U487248	
Date	00/00/00	Please check tunnelmill.com for the latest version of this drawing and for downloads in other drawing formats.		
Revision	A			
Revision Date	00/00/00			
Page	4 OF 8			